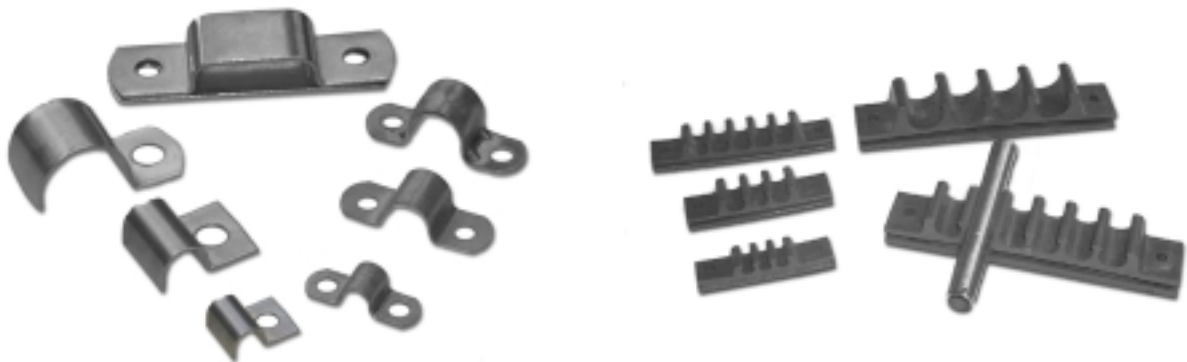




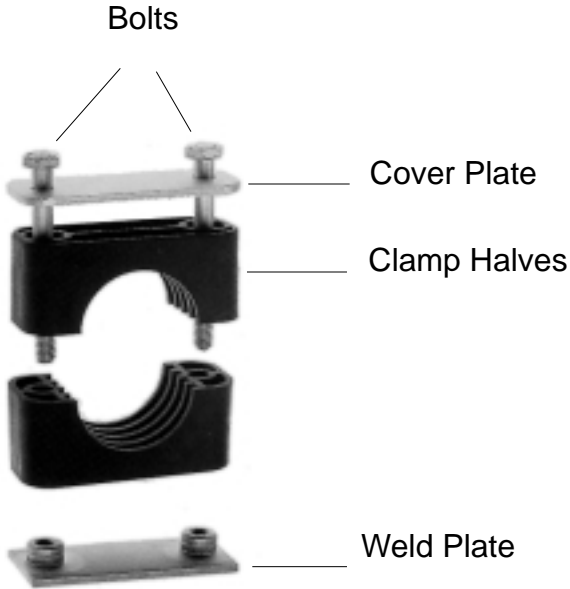
Tubing Support Systems

Designed to reduce noise, absorb shock and dampen vibration



A. R. Thomson Group

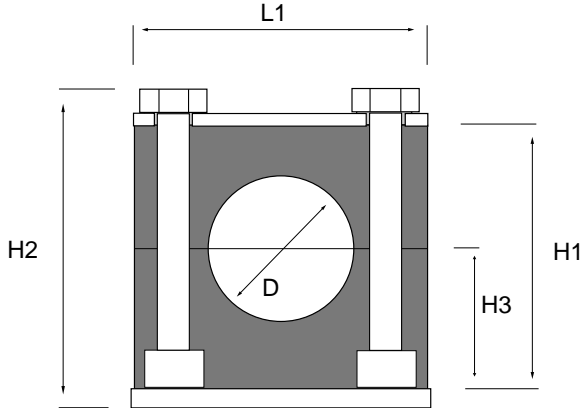
TUBE SUPPORT KITS



kit complete with weld plate

Materials

- Bolts Hex Head : 316 stainless steel
- Cover Plate : 316 stainless steel
- Weld Plate: Carbon Steel
- Body: Polypropylene
- Rail and rail nuts: Carbon Steel
- Strut Nuts: Carbon Steel (zinc plated)






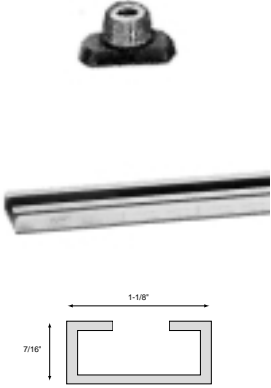
Kits include these parts



Kit Part Numbers & Dimensions

O.D.(D)	GRP	KIT NO.	H1	H2	H3	L1
1/4"	1A	1064A-PP-ASSY	1.06	1.45	0.65	1.45
3/8"	1A	1095A-PP-ASSY	1.06	1.45	0.65	1.45
1/2"	2	2127-PP-ASSY	1.30	1.69	0.77	1.66
5/8"	2	2160-PP-ASSY	1.30	1.69	0.77	1.66
3/4"	3	3190-PP-ASSY	1.38	1.77	0.80	1.97
1"	3	3254-PP-ASSY	1.38	1.77	0.80	1.97
1-1/4"	5	5320-PP-ASSY	2.33	2.72	1.28	2.75
1-1/2"	5	5381-PP-ASSY	2.33	2.72	1.28	2.75

MOUNTING OPTIONS

		Weld Plates		
		Clamp sizes	Group	Part No.
		1/4" , 3/8"	1A	WP1A
		1/2" , 5/8"	2	WP2
		3/4" , 1"	3	WP3
		1" , 1-1/4"	4	WP4

		Rail Nuts (2 required)	
		Part No.	HRN
		Mounting Rail	
		R-1	1 meter (3.28 ft) in length
		R-2	2 meter (6.56 ft) in length

		Strut Nuts (2 required)	
		Part No.	CRA1-8

May 2000

A. R. Thomson Group







7930 - 130th Street
SURREY, B.C.
V3W 0H7
Phone (604) 507-6050
Fax (604) 507-6098




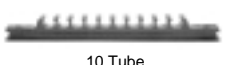

No. 5 - 4376 Boban Drive
NANAIMO, B.C.
V9T 5V1
Phone (250) 758-1090
Fax (250) 758-1774

1686 Lyon Street
PRINCE GEORGE, B.C.
V2N 1T2
Phone (250) 563-1444
Fax (250) 563-2644

878 A Tungsten Street
THUNDER BAY, Ontario
P7B 6J3
Phone (807) 623-0641
Fax (807) 623-5480

TUBE CLIPS

METAL		Single - 316 Stainless Steel		
		<u>PART No</u>	<u>SIZE</u>	<u>HOLE SIZE</u>
		SCL-250	1/4"	.187
		SCL-375	3/8"	.187
		SCL-500	1/2"	.187
		SCL-750	3/4"	.190
		SCL-1000	1"	.200
		Double - 316 Stainless Steel		
		<u>PART No</u>	<u>SIZE</u>	<u>HOLE SIZE</u>
		DCL-250	1/4"	.187
		DCL-375	3/8"	.187
	DCL-500	1/2"	.187	
	DCL-750	3/4"	.190	
	DCL-1000	1"	.200	
	Gang & Back Plate - 316 Stainless Steel			
	<i>Available from Factory</i>			
	Tube sizes 1/4", 3/8" and 1/2"			
	Tube capacity 2 thru 20 tubes			
		Single - Brass		
		<u>PART No</u>	<u>SIZE</u>	<u>HOLE SIZE</u>
		3121-1-4	1/4"	.187
		3121-1-6	3/8"	.187
		3121-1-8	1/2"	.210
		3121-1-12	3/4"	.281
				
		3121-3-4	1/4"	.187
		3121-3-6	3/8"	.187
		3121-3-8	1/2"	.210
		3121-3-12	3/4"	.281

PLASTIC					
	 3 Tube	<u>PART No</u>	<u>SIZE</u>	<u>No. TUBES</u>	<u>HOLE SIZE</u>
		P-4-3	1/4"	3	.187
		P-6-3	3/8"	3	.187
	 5 Tube	P-4-5	1/4"	5	.187
		P-6-5	3/8"	5	.187
	 10 Tube	P-4-10	1/4"	10	.187
		P-6-10	3/8"	10	.187
	 6 Tube	P-8-6	1/2"	6	.187