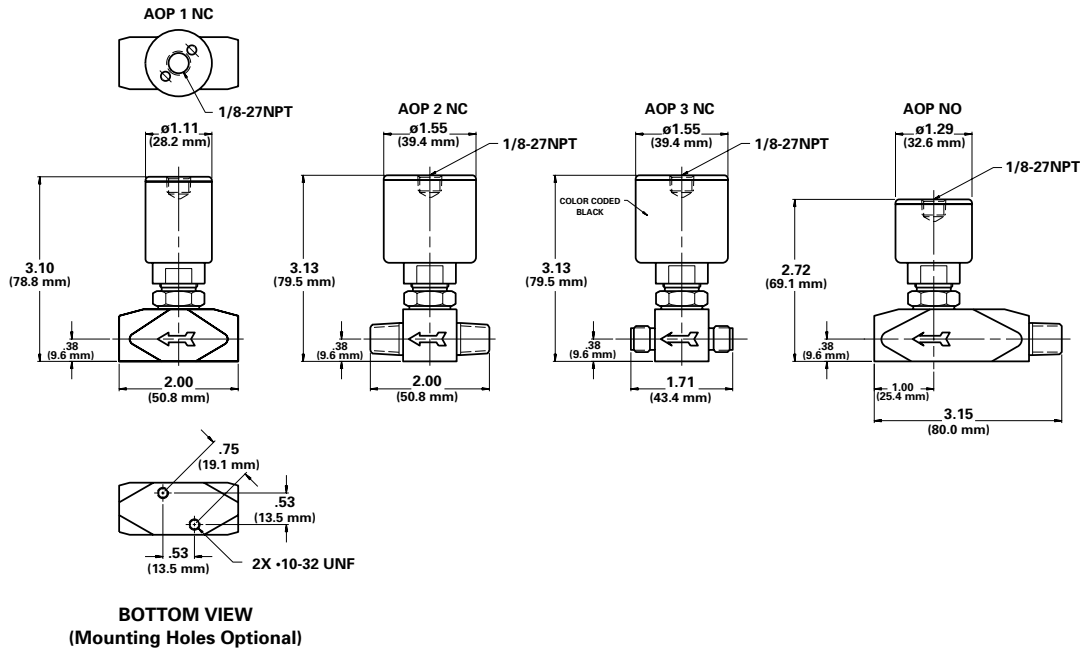


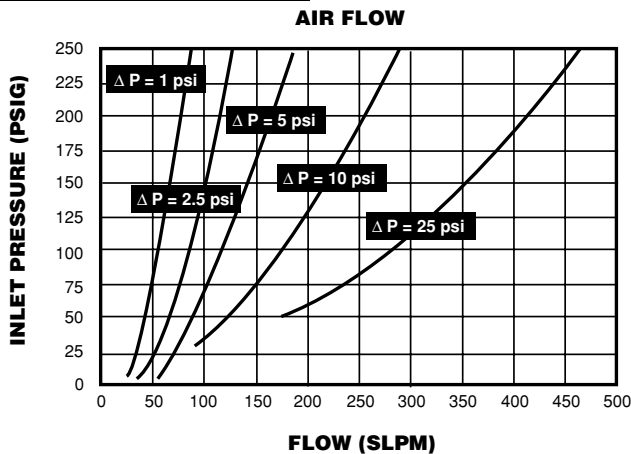


# Nova-AOP Series

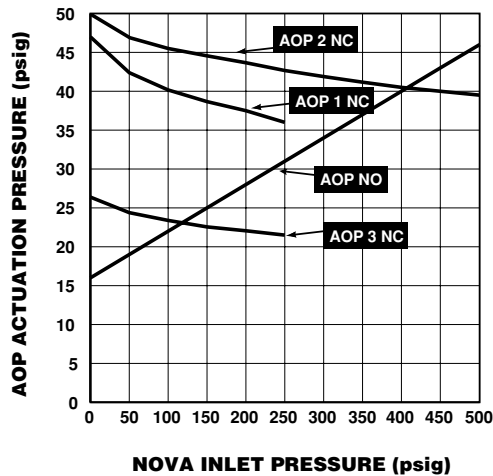
## Cross Sectional Drawing



## Flow Curve



## NOVA AOP SERIES AOP ACTUATION PRESSURE vs NOVA INLET PRESSURE



## Ordering Information

**NOVAAOP 1 S 44TT VESP**

**BASIC SERIES**  
 NOVAAOP = Air Operated

**STYLE**  
 1 = Normally Closed - 250 psig\*  
 2 = Normally Closed - 500 psig\*\*  
 3 = Normally Closed - 250 psig\*\*\*  
 NO = Normally Open - 500 psig\*\*\*\*

**MATERIAL**  
 B = Brass  
 S = Stainless Steel  
 M = Monel

**OPTIONS**  
 VESP = VespeI®  
 NP = Nickel Plating  
 MH = Mounting Holes  
 G = Gauge Port

**CONNECTION (Inlet & Outlet)**  
 44FF = 1/4" NPT Female In x 1/4" NPT Female Out  
 44MM = 1/4" NPT Male In x 1/4" NPT Male Out  
 44MF = 1/4" NPT Male In x 1/4" NPT Female Out  
 44TT = 1/4" Compression In x 1/4" Compression Out

\* Minimum Actuation Pressure 65psig  
 \*\* Minimum Actuation Pressure 75 psig  
 \*\*\* Minimum Actuation Pressure 40 psig  
 \*\*\*\* Minimum Actuation Pressure 50 psig at 500 psig inlet.

Kel-F 81® is a registered trademark of 3M Company.  
 Elgiloy® is a registered trademark of Elgiloy Company.  
 VespeI® is a registered trademark of DuPont Company.

**Parker Hannifin Corporation**

**Veriflo Division**  
 250 Canal Boulevard, P.O. Box 4034  
 Richmond, CA 94804-0034  
 Phone (510) 235-9590 • Fax (510) 232-7396

**Premium Products,  
Powerful Solutions.**

**Parker**  
 Instrumentation