

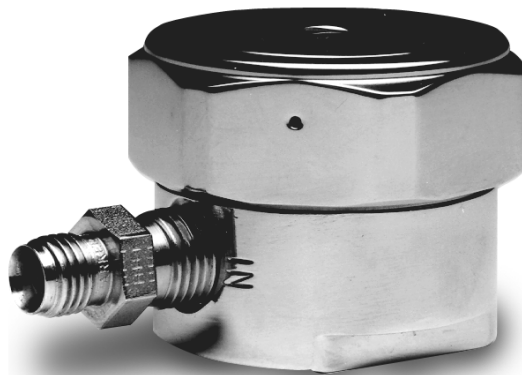
SC423XL

The Ultimate in Precision Low Flow/Control



Veriflo's SC423XL is a unique device which supplies a constant flow with a self correcting action to compensate for changes in downstream pressure. ▶

The SC423XL was designed for air and analyzer sampling systems which require very low flow rates (less than 10 sccm). Connected to a vacuum cylinder, the SC423XL provides consistent flow control despite changes in the vacuum.



features

- ▶ Rugged Design.
- ▶ Reliable Precision Flow Control as low as 1 sccm.
- ▶ Adjustable Flows.
- ▶ Hastelloy C-22[®] Diaphragms.
- ▶ Stable flows as vacuum pressure changes from 28 in Hg to 5 in Hg.
- ▶ Stable flows over a wide temperature band.
- ▶ Color coded orifices.
- ▶ Special CFC Free Cleaning.
- ▶ Tamper Proof.

materials of construction

Wetted

Body 316L Stainless Steel
Seat Viton[®]
Seals Viton[®]
Piston 316L Stainless Steel
Diaphragm Hastelloy C-22[®]
Inlet Fitting 316 Stainless Steel
Outlet Fitting 316 Stainless Steel

Non-wetted

Cap 316L Stainless Steel
Filter Sintered Hastelloy
Cap Nut 316 Stainless Steel

operating conditions

Inlet pressure Atmospheric
Outlet pressure Vacuum
Flow As low as 1 sccm
(See Flow Curve)

functional performance

Design Leak Rate:
(outboard) 1×10^{-6}

temperature range

-40°F (-40°C) to 200°F (94°C)

standard configurations

1/4" NPT Female inlet and outlet

connections

Inlet (Atmosphere) 1/4" NPT x 1/4"
Compression Fitting
Outlet (Vacuum) 1/4" NPT X 1/4"
Tube Adapter

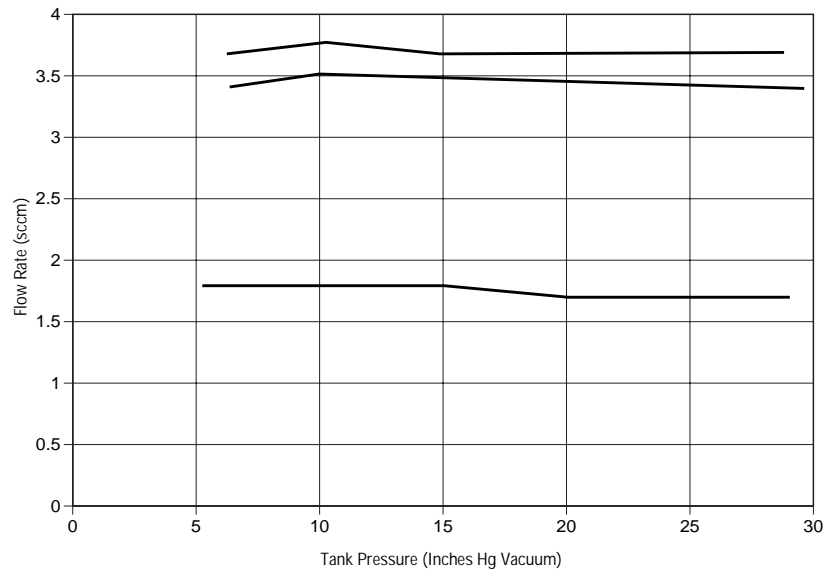
approximate weight

1.75 lbs. (.80 kg)

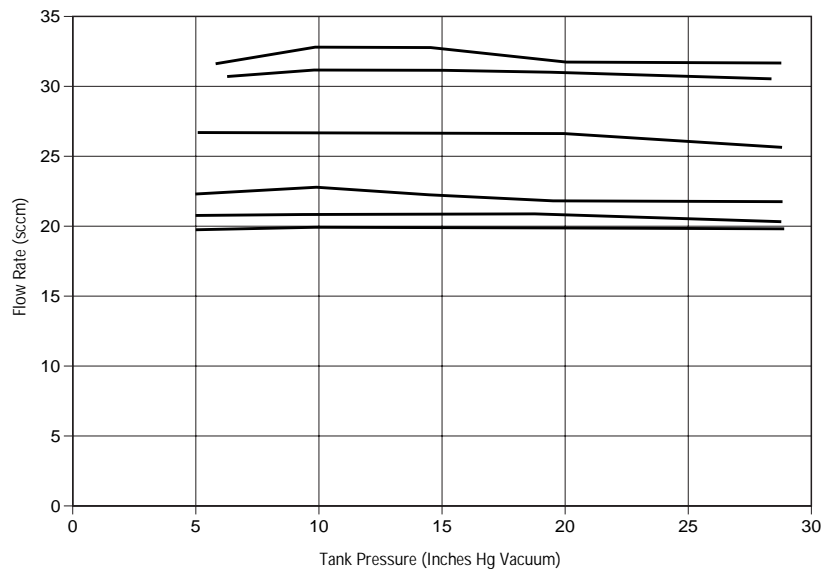
SC423XL

Flow Curves

Flow Stability Curve- .0012 orifice



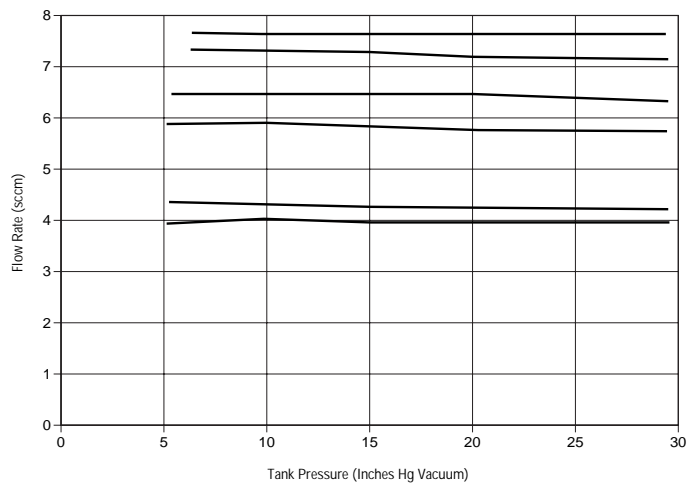
Flow Stability Curve- .003 orifice



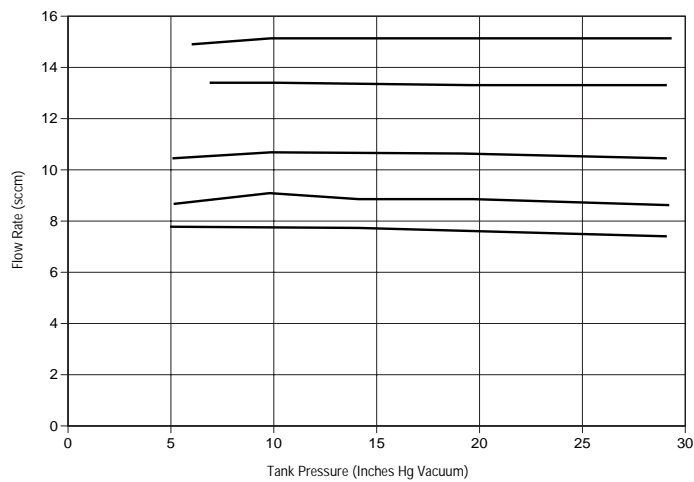
SC423XL

Flow Curves

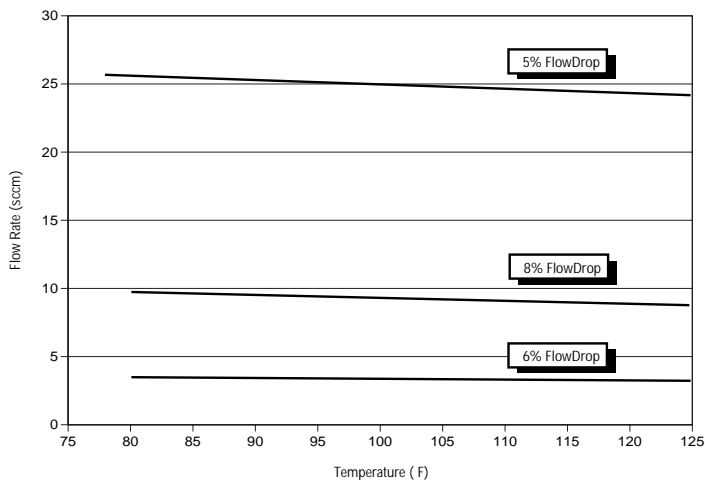
Flow Stability Curve- .0016 orifice



Flow Stability Curve- .002 orifice

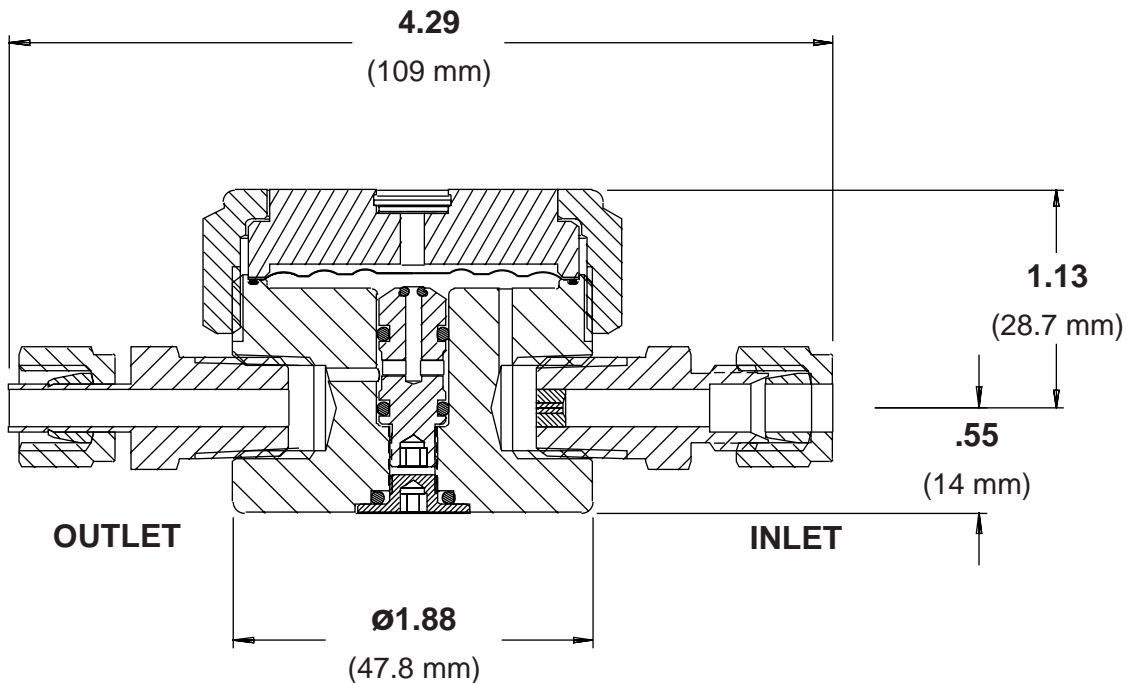


Temperature Effect On Flow Rate

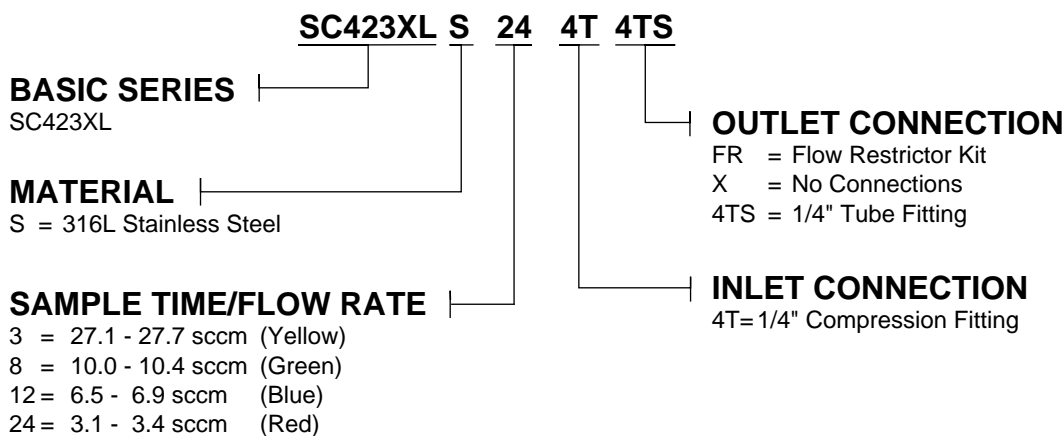


SC423XL

Cross Sectional View



Ordering Information



Hastelloy C-22® is a registered trademark of Haynes International, Inc.
Viton® is a registered trademark of DuPont Dow Elastomers.

Parker Hannifin Corporation

Veriflo Division
250 Canal Boulevard, P.O. Box 4034
Richmond, CA 94804-0034
Phone (510) 235-9590 • Fax (510) 232-7396

