

CBR

A rotating metal bellows provides reliable sealing without shaft packing hang-up or fretting in general service and ANSI chemical pumps. Designed to handle all ranges of corrosive applications with different base metallurgies available. Patented Centroid Loaded Face Attachment improves seal life by preventing face distortion that is caused by pressure and temperature.

Features/Benefits

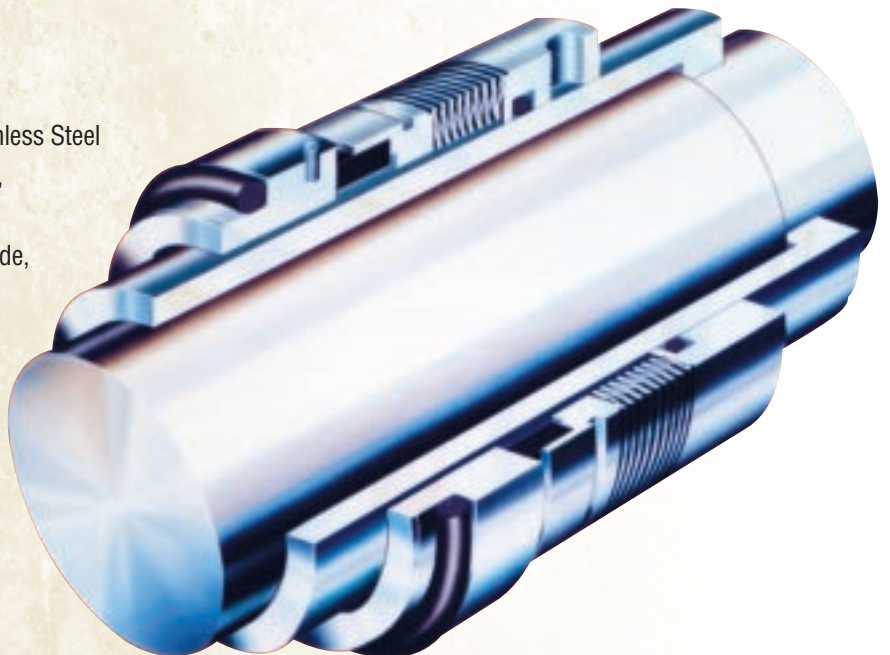
- Rotating bellows design provides best centrifugal force action to keep particles from setting between the bellows convolutions.
- Slim cross section allows the CBR to fit into 5/16" stuffing boxes.
- No dynamic gaskets eliminate shaft packing fretting and seal face hang-up.
- Patented centroid loading face attachment prevents distortion caused by different thermal expansion rates of the face and holder materials.
- Built-in hydraulic balancing lowers heat generation and energy consumption.
- Easy to repair at any Flowserve authorized serve center.

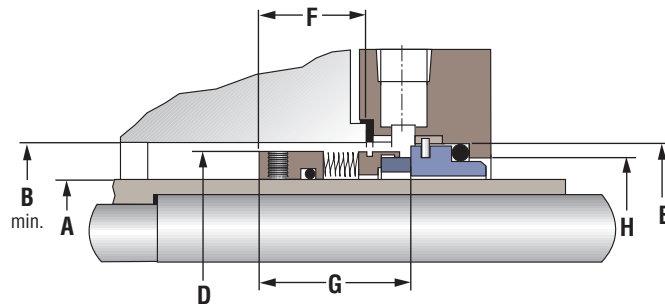
Materials of Construction

- Bellows: AM-350, Hastelloy C, 20 Stainless Steel
- Rotating Face: Carbon, Silicon Carbide, Tungsten Carbide
- Stationary Seat: Ceramic, Silicon Carbide, Tungsten Carbide

Operating Parameters

- Maximum Pressure: 300 psig
- Maximum Temperature: up to 400°F
- Surface Speeds: up to 75 ft/sec.
- Shaft Sizes: .750 through 5.500"





Dimensional Data

A	B	D	E	F	G	H
.750	1.375	1.312	1.375	1.00	1.38	1.140
.875	1.500	1.437	1.500	1.00	1.38	1.265
1.000	1.625	1.562	1.625	1.00	1.38	1.390
1.125	1.750	1.687	1.750	1.00	1.38	1.515
1.250	1.875	1.812	1.875	1.00	1.38	1.640
1.375	2.000	1.937	2.000	1.19	1.56	1.765
1.500	2.125	2.062	2.125	1.19	1.56	1.890
1.625	2.250	2.187	2.375	1.19	1.56	2.015
1.750	2.375	2.312	2.500	1.19	1.56	2.140
1.875	2.500	2.437	2.625	1.19	1.56	2.265
2.000	2.625	2.562	2.750	1.19	1.56	2.390
2.125	2.750	2.687	2.875	1.19	1.56	2.515
2.250	2.875	2.812	3.000	1.19	1.56	2.640
2.375	3.000	2.937	3.125	1.19	1.56	2.765
2.500	3.250	3.187	3.375	1.38	1.75	3.015
2.625	3.375	3.312	3.500	1.38	1.75	3.140
2.750	3.500	3.437	3.625	1.38	1.75	3.265
2.875	3.687	3.625	3.750	1.38	1.75	3.390
3.000	3.812	3.750	3.875	1.38	1.75	3.515
3.125	3.937	3.875	4.125	1.38	1.75	3.765
3.250	4.062	4.000	4.250	1.38	1.75	3.890
3.375	4.187	4.125	4.375	1.38	1.75	4.015
3.500	4.312	4.250	4.500	1.50	1.88	4.140
3.625	4.437	4.375	4.625	1.50	1.88	4.265
3.750	4.562	4.500	4.750	1.50	1.88	4.390
3.875	4.687	4.625	4.875	1.50	1.88	4.515
4.000	4.812	4.750	5.125	1.50	1.88	4.640
4.125	4.937	4.875	5.250	1.50	1.88	4.765
4.750	5.562	6.000	5.875	1.50	1.88	5.390
5.000	5.937	6.375	6.125	1.62	2.00	5.640
5.500	6.562	7.000	6.750	1.62	2.25	6.265

The information and specifications presented in this product brochure are believed to be accurate, but are supplied for information purposes only and should not be considered certified or as a guarantee of satisfactory results by reliance thereon. Nothing contained herein is to be construed as a warranty or guarantee, express or implied, with respect to the product. Although Flowserve Corporation can provide general application guidelines, it cannot provide specific information for all possible applications. The purchaser/user must therefore assume the ultimate responsibility for the proper selection, installation, operation and maintenance of Flowserve products. Because Flowserve Corporation is continually improving and upgrading its product design, the specifications, dimensions and information contained herein are subject to change without notice.

Primary Worldwide Flow Solutions Division Locations

Licenseses, authorized agents, and affiliated companies located worldwide.

<p>United States</p> <p>Kalamazoo, MI Phone 616-381-2650 Fax 616-381-8368</p> <p>Temecula, CA Phone 909-676-5662 Fax 909-308-4495</p>		<p>Canada</p> <p>Edmonton, Alberta Phone 780-463-7958 Fax 780-450-1241</p> <p>Scarborough, Ontario Phone 416-292-2877 Fax 416-292-5190</p>		<p>Netherlands</p> <p>Roosendaal Phone 31-165-581-400 Fax 31-165-552-622</p>		<p>Argentina</p> <p>Mendoza Phone 54-261-427-2300 Fax 54-261-427-2524</p>	
<p>Singapore</p> <p>Phone 65-746-4318 Fax 65-747-1963</p>		<p>Mexico</p> <p>Tlaxcala Phone 52-2-461-6791 Fax 52-2-461-6847</p>		<p>Brazil</p> <p>Sao Paulo Phone 55-11-4066-8600 Fax 55-11-4066-7014</p>		<p>Japan</p> <p>Osaka Phone 81-720-85-5571 Fax 81-720-85-5575</p>	
		<p>Germany</p> <p>Dortmund Phone 49-231-6964-0 Fax 49-231-6964-248</p>		<p>Australia</p> <p>Marayong NSW Phone 61-2-8822-7100 Fax 61-2-9679-7511</p>			