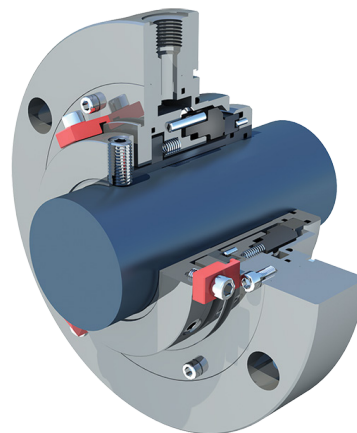


THOMSON MECHANICAL SEALS

9100

General service single cartridge seal conforming to API 682.



FEATURES

- Robust faces resistant to deflection at high pressures and temperatures.
- Very Low Emission design.
- Low friction face geometry.
- Compact construction for easy retrofit to most pumps.
- No Spark carbon throttle bushing to restrict process flow to atmosphere.
- Self aligning design for greater fluid film stability.

APPLICATIONS

- Clean, Low density high pressure hydrocarbons.
- Propane-butane, Ethanol, Acetone, ethylene hydrocarbons.
- Oil Refining
- Chemical
- Operates with API 682 plan: 11, 12, 13, 21, 32 and 64.
- Designed according to API 682 Type A, category 2 or 3, arrangement 1, configuration 1CW-FL (with floating carbon restriction bushing).

OPERATING RANGE

All operating range information is dependent on media, materials of construction, and support systems used. Please contact A.R. Thomson mechanical seal services department for more information.

Temperature:	Pressure, Max:
-40 to 176°F (-40 to -80°C)	510 psi (35 bar)
176 to 265°F (80 to 130°C)	450 psi (31 bar)
265 to 350°F (130 to 180°C)	400 psi (28 bar)
350 to 482°F (180 to 250°C)	320 psi (22 bar)

STANDARD MATERIALS

Metal Parts:	316SS or Hastelloy C
Seal Faces:	Antimony Impregnated Carbon Graphite, Silicon Carbide, Tungsten Carbide
Elastomers:	FKM, EPDM, FFKM
Springs:	Hastelloy C

Limitation of liability: actual performance may vary and is determined by factors unique to a given application. It is recommended that care be taken in the selection and application of materials for hazardous services and controlled testing be undertaken to determine suitability for a specific application. A.R. Thomson Group does not make or imply any warranty of suitability for a particular purpose and is not liable for any damages arising from the use of the information in this sheet. v1.1 WWW.ARTHOMSON.COM