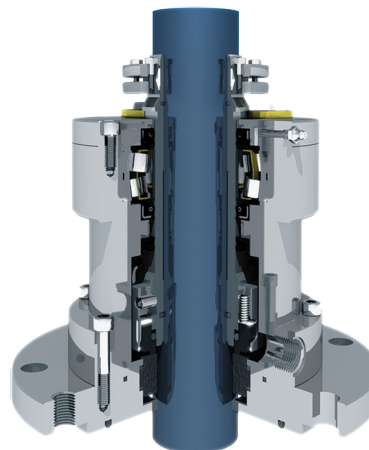


THOMSON MECHANICAL SEALS

TMA-1/1L

Thomson Mix-All single multi-spring cartridge seal for mixers.


FEATURES

- Pre-assembled cartridge design.
- Barrier fluid chamber for cooling and lubricating faces.
- Balanced faces.
- Available with or without integral bearing.
- Bi-directional.

APPLICATIONS

- Top entry Mixers/Agitators/Blenders.
- Non-hazardous media.
- Water/Wastewater.
- Irrigation.
- Food and Beverage.
- Pulp and Paper.

OPERATING RANGE

All operating range information is dependent on media, materials of construction, and support systems used. Please contact A.R. Thomson mechanical seal services department for more information.

- Pressure, Max:** 90 psig (6 bar)
- Temperature:** -40°F to 400°F (-40°C to 204°C)
- Speed, Max:** 800 fpm (4 m/s)

STANDARD MATERIALS

- Seal Faces:** Resin impregnated graphite carbon, antimony carbon-graphite, silicon carbide, dry running carbon.
- O-Rings:** FKM, EPDM, Nitrile, Aflas, FFKM.
- Springs:** Hastelloy C
- Metallurgy*:** 316SS

*Hastelloy C, Alloy 20 and Titanium available upon request.

Limitation of liability: actual performance may vary and is determined by factors unique to a given application. It is recommended that care be taken in the selection and application of materials for hazardous services and controlled testing be undertaken to determine suitability for a specific application. A.R. Thomson Group does not make or imply any warranty of suitability for a particular purpose and is not liable for any damages arising from the use of the information in this sheet. v1.1 WWW.ARTHOMSON.COM