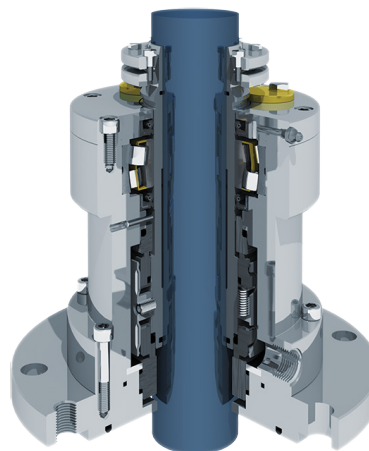


**THOMSON MECHANICAL SEALS**

# TMA-2/2L

Thomson Mix-All dual multi-spring cartridge seal for mixers.



The TMA-2 and TMA-2L are the ideal intermediate pressure mixer seals for chemically aggressive applications intended for use with a flush cooling system or pressurized barrier fluid.

**FEATURES**

- Pre-assembled cartridge design.
- Dual faces for added containment.
- Barrier fluid to cool faces.
- Available with or without integral bearing.
- Bi-directional.

**APPLICATIONS**

- Top entry Mixers/Agitators/Blenders.
- Chemically aggressive or hazardous media.
- Pulp and Paper.
- Ore Processing.
- Chemical.

**OPERATING RANGE**

All operating range information is dependent on media, materials of construction, and support systems used. Please contact A.R. Thomson mechanical seal services department for more information.

<b>Pressure, Max:</b>	145 psig (10 bar)
<b>Temperature:</b>	-40°F to 400°F (-40°C to 200°C)
<b>Speed, Max:</b>	1600 fpm (8 m/s)

**STANDARD MATERIALS**

<b>Seal Faces:</b>	Resin impregnated graphite carbon, antimony carbon-graphite, silicon carbide, dry running carbon.
<b>O-Rings:</b>	FKM, EPDM, Nitrile, Aflas, FFKM.
<b>Springs:</b>	Hastelloy C
<b>Metallurgy*:</b>	316SS

\*Hastelloy C, Alloy 20 and Titanium available upon request.

**Limitation of liability:** actual performance may vary and is determined by factors unique to a given application. It is recommended that care be taken in the selection and application of materials for hazardous services and controlled testing be undertaken to determine suitability for a specific application. A.R. Thomson Group does not make or imply any warranty of suitability for a particular purpose and is not liable for any damages arising from the use of the information in this sheet. v1.1 [WWW.ARTHOMSON.COM](http://WWW.ARTHOMSON.COM)