

Section 2

# Diaphragm Valve Products



Contained in this section:

## Weir Valves

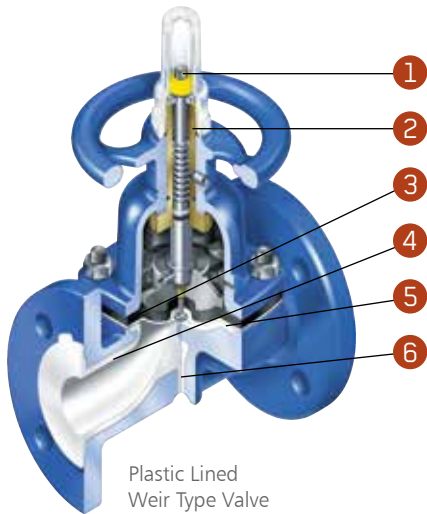
- Features and Benefits
- Body Selections
- Diaphragm Selections
- Bonnet Assembly Select

## Straightway Valves

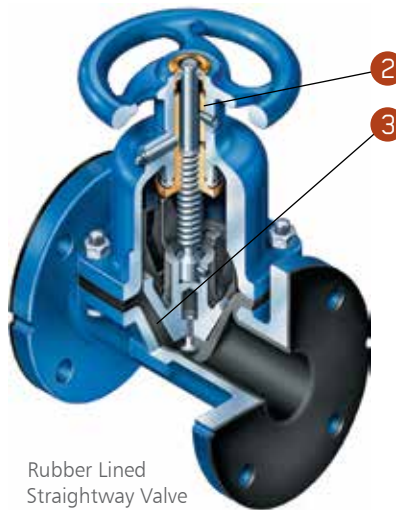
- Features and Benefits
- Body Selections
- Diaphragm Selections
- Bonnet Assembly Selections

# Features and Benefits

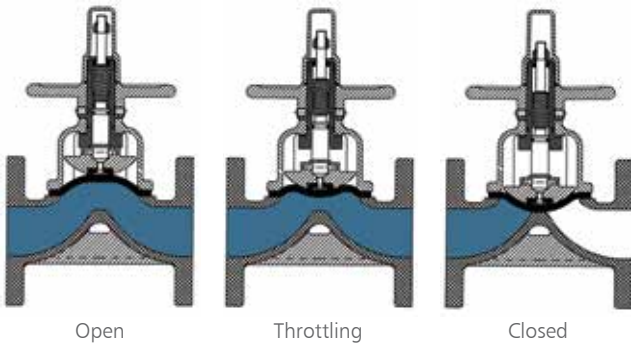
## Weir Type Valve



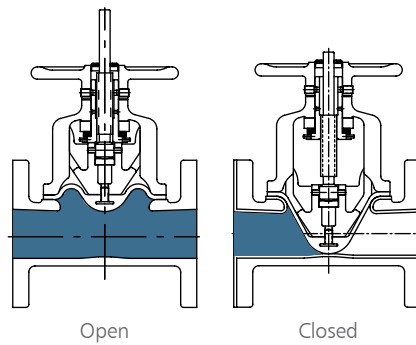
## Straightway Valve



## Modes of Operation



## Modes of Operation



## Versatile and Economical

Broad range of body materials and diaphragm materials.

- Metals
- Plastic Linings
- Rubber Linings
- Glass Linings
- Solid Plastic
- Choose from 12 grades of Elastomers or PTFE Diaphragms

# Features and Benefits

## 1 Adjustable Travel Stop

- Prevents overclosure of the valve and prolongs diaphragm life. The adjustability feature assures that leak-tight shutoff can be maintained throughout the valve's life.

## 2 Bronze Bushing

- Reduces turning torque and enhances cycle life in "dirty" atmospheres.

### Sealed Bonnet

- Offers secondary process containment to control fugitive emissions.
- Supplied with leak detection port as standard.

### Floating Tube Nut\*

- Prevents point loading of the stud on PTFE diaphragms, which enhances diaphragm life, particularly in high temperature and high cycle applications.
- 100% Seat & Shell Testing
- All valves are pressure tested bubble tight prior to shipment. No visible leakage is allowed.
- Extensive selection of body and diaphragm materials and actuation packages.
- Allows optimum selection of materials for service conditions, often without expensive upgrades.

## 3 Bonnet Isolation

- The diaphragm isolates the working parts of the valve from process fluids.

## 4 Streamlined Fluid Passage

- The smooth contoured body has minimal pockets, cavities or dead spaces, which prevent accumulation or stagnation of process fluids or contaminants.

### No Packing Gland or Packing

- No more packing gland adjustment required or stem packing leakage problems for improved control of fugitive emissions.

### Positive Leak Tight Closure

- Bubble tight closure is provided in accordance with MSS SP-88.

### In-Line Maintenance

- Easily maintained when required for reduced downtime and lower cost of ownership.

## 5 Molded Closed 2-Piece PTFE Diaphragm\*

- Diaphragms are molded to the exact contour of the weir for superior shutoff capabilities.
- 2-piece configuration eliminates delamination of PTFE which is common to 1-piece configurations.
- Superior flex life
- Reduced permeation
- Excellent chemical resistance

## 6 Line-Lok\*

- Unique feature in all plastic lined weir valves that prevents liner flexing over the weir, which reduces the potential for liner cracking.

\* Weir type valve only