

Butterfly Valve

MAMMOUTH

DN 1050-4000
PS 25 bar

Type Series Booklet



Legal information/Copyright

Type Series Booklet MAMMOUTH

All rights reserved. The contents provided herein must neither be distributed, copied, reproduced, edited or processed for any other purpose, nor otherwise transmitted, published or made available to a third party without the manufacturer's express written consent.

Subject to technical modification without prior notice.

© KSB S.A.S, Gennevilliers (Paris), France 22/01/2018

Butterfly Valves

Centred-disc Butterfly Valves

MAMMOUTH



Main applications

- Water supply systems
- Water transport
- Cooling circuits
- Seawater desalination/reverse osmosis
- Flue gas desulphurisation
- General irrigation systems
- Shipbuilding
- Pipelines and tank farms
- Water treatment

Fluids handled

- Service water
- Seawater
- Cooling water
- Drinking water
- River water, lake water and groundwater
- Radioactive fluids

Operating data

Operating properties

Characteristic	Value
Nominal pressure	6/10/16/20/25
Nominal size	DN 1050 - 4000
Min. permissible temperature [°C]	0
Max. permissible temperature [°C]	+80
Vacuum operation	Contact KSB.
Max. permissible flow velocity at operating pressure	Actuator rated for 2 m/s Higher velocities on request.

Design details

Design

- Flanged body with flat faces – T5: DN 1050-4000
- Installation with stem in a horizontal or vertical position (actuator on top)
- Downstream dismantling possible
- Reduced face-to-face length: series 215, 254, 280, 400 or 520 mm, depending on DN.
- Dead-end service with counter flange possible
- Design to EN 593 and ISO 10631
- Top flange to ISO 5211
- Marked in accordance with EN 19
- Absolutely tight shut-off (no leakage visible to the naked eye) in either direction of flow in accordance with EN 12266-1, leakage rate A, ISO 5208, category A, and all standards which allow a leakage rate (e.g. ANSI/FCI 70-2 Class 6).
- Unless indicated otherwise, the normal mating dimensions of MAMMOUTH are suitable for the permissible pressure class (PS).
- Body with polyurethane coating, thickness 80 µm, colour: RAL 5002, blue.
- Valve discs: nodular cast iron, epoxy-coated as standard (thickness: 80 µm, colour: brown RAL 8012) or hard rubber coated (other materials on request)
- The valves satisfy the safety requirements of Annex I of the European Pressure Equipment Directive 97/23/EC (PED) for fluids in Groups 1 and 2.
- Valves with actuators can meet the requirements of the 2006/42/EC Machinery Directive for partly completed machinery.
- The valves meet the requirements of the REACH 1907/2006 regulation. None of the substances listed in the candidate list and in Annex XIV of the regulation is present in a concentration above 0.1 % (w/w) (Article 33/REACH).

Variants

- Up to DN 4000 on request
- Anti-fluttering device (providing stabilisation in case of unsteady flow)
- Valve disc locking device
- Support feet
- Dismantling joints and expansion bellows
- ACTELEC electric actuators
- ACTAIR / DYNACTAIR pneumatic actuators
- HQ hydraulic actuators
- Counterweight actuator
- AMTROBOX limit switch box
- AMTRONIC valve controller with compressed air supply via directional control valve
- SMARTRONIC intelligent positioner
- ATEX design in compliance with the 94/9/EC Directive

Body materials

Overview of available materials

Material	Material number	Type	DN	KSB code
EN-GJS-400-15 (JS1030)	JS 1030	T5	All	3g
ASTM A536 Gr. 60.40.18				
1.0619 ASTM A216 Gr WCC	Carbon steel	T5	All	1
Other standards on request				

Product benefits

- Spherically machined valve disc with rounded sealing contour
 - ensures durable and permanently tight shut-off
- Keyed connection between stem and valve disc
 - Dry stem, no contact with fluid handled
- Sealing to atmosphere and tight shut-off are ensured,
 - even when the actuator has been removed
- Marking indicates position of valve disc
- Valve equipped with stainless steel bearing bushes with reinforced PTFE coating
- The elastomer liner provides tight sealing at the flanged line connections, eliminating the need for a flange gasket.
- Valve disc geometry optimised for reduced pressure losses
- Options
 - Anti-fluttering device (providing stabilisation in case of unsteady flow)
 - Valve disc locking device
 - Support feet
- Thrust insert for reduced friction
 - Absorbs the weight of the valve disc when the valve is installed with the stem in the vertical position
- Valve certified to
 - WRAS for drinking water applications, with XC elastomer liner
- Valve actuation options:
 - Manual
 - Electric
 - Pneumatic
 - Hydraulic

Related documents

Other applicable documents

Document	Reference No.
Actuator selection	8449.178
Operating manuals	8449.8

Purchase order specifications

1. Type series
2. Nominal pressure
3. Nominal size
4. Fluid handled
5. Flow rate/velocity
6. Temperature
7. Materials (body, valve disc, seat)
8. Line connection, flange facing and flange surface quality
9. Actuator/automation
10. Reference number of type series booklet

Pressure/temperature ratings

Test and operating pressures

Nominal pressure	Shell test	Leak test (seat)	Permissible operating pressures
	Water		
	P10, P11	P12	
PN	[bar]	[bar]	[bar]
6	9	6.6	6
10	15	11	10
16	24	17.6	16
20	30	22	20
25	37.5	27.5	25

Test to AWWA on request

Other standard on request

Technical data

Hydraulic characteristics

[Kv0 in m³/h / bar^{0.5}]

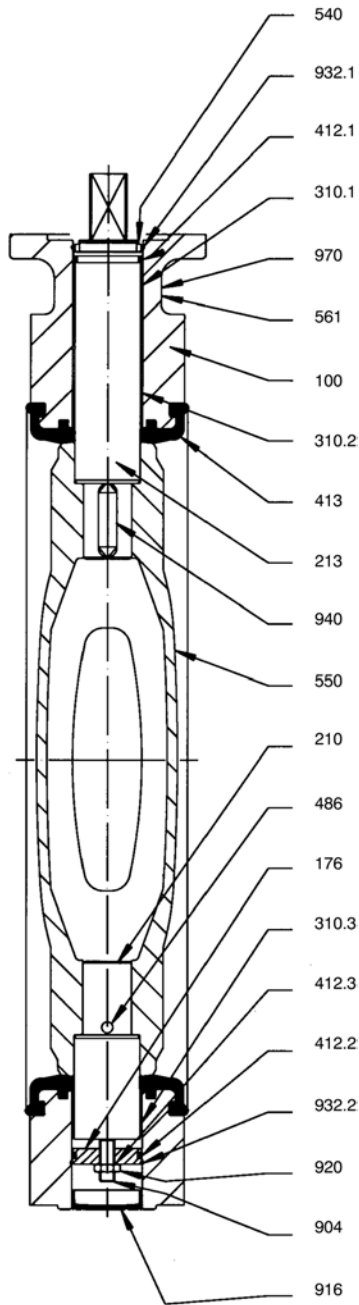
DN	NPS	Flow coefficient with valve fully open Kv0				
		PN 6	PN 10	PN 16	PN 20	PN 25
(1050)	42	-	122500	-	-	-
1100	44	-	142300	82800	82800	82800
1200	48	-	168100	111600	111600	111600
(1250)	50	172000	172000			
1300	52	180000	169200	147600	147600	147600
(1350)	54	180000	169200	169200	169200	169200
1400	56	193000	190800	190800	190800	104400
1500	60	233000	237600	237600	133200	133200
1600		295200	295200	295200	169200	169200
(1650)	66	327600	327600	327600	190800	190800
1800	72	428400	428400	259200	259200	259200
(1950)	78	550800	550800	338400	338400	
2000		594000	367200	367200	367200	
(2100)	84	694800	435600	435600		
2200		802800	507600			
(2250)	90	543600	543600			
2400	96	669600	669600			
(2550)	102	878400				
2600		878400				
(2700)	108	940000				
(2850)	114	1198800				
3000	120	1479600				
3150 - 4000		Other diameters on request				

[Cv0 in GUS/min / psi^{0.5}]

DN	NPS	Flow coefficient with valve fully open Cv0				
		PN 6	PN 10	PN 16	PN 20	PN 25
(1050)	42	-	142100	-	-	-
1100	44	-	165070	96050	96050	96050
1200	48	-	195000	129500	129500	129500
(1250)	50	199500	199500			
1300	52	208800	196300	171250	171250	171250
(1350)	54	208800	196300	196300	196300	196300
1400	56	223800	221330	221350	221350	121150
1500	60	270300	275620	275650	154550	154550
1600		342450	342450	342450	196300	196300
(1650)	66	380050	380050	380050	221350	221350
1800	72	496950	496950	300700	300700	300700
(1950)	78	638950	638950	392550	392550	
2000		689050	426000	426000	426000	
(2100)	84	806000	505300	505300		
2200		931250	931250			
(2250)	90	630600	630600			
2400	96	776750	776750			
(2550)	102	1018950				
2600		1018950				
(2700)	108	1100000				
(2850)	114	1390650				
3000	120	1716350				
3150 - 4000		Other diameters on request				

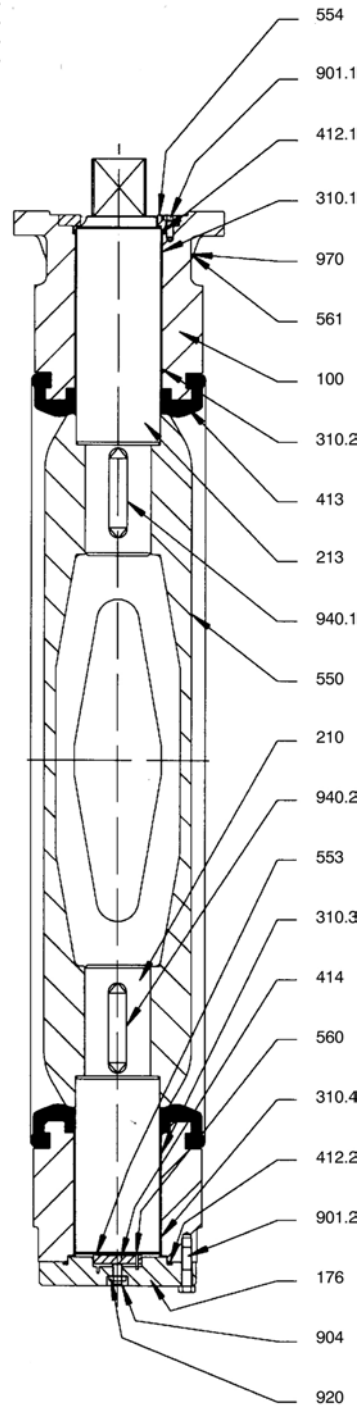
Materials

Sectional drawing



Series 216 / 254

DN 1050 - 1200 PN 10 bar



Series 280 / 400 / 520

DN 1250 - 4000 PN 6 bar
 DN 1250 - 4000 PN 10 bar
 DN 1100 - 4000 PN 16 bar
 DN 1100 - 4000 PN 20 bar
 DN 1100 - 4000 PN 25 bar

List of components, series 216 / 254

Part No.	Description	DN	Materials	KSB code
100	Body	1050 - 1200	Nodular cast iron EN-GJS-400-15 (JS1030) ASTM A536 Gr. 60-40-18	3g
100	Body	1050 - 1200	Cast steel	1*
176	Bottom	1050 - 1200	Carbon steel	
210 ¹⁾	Stem	1050 - 1200	Stainless steel 1.4028 (13% Cr) ASTM A276 Gr. 420	6k
210 ¹⁾	Stem	1050 - 1200	Stainless steel (17% Cr)	6e
210 ¹⁾	Stem	1050 - 1200	Monel® stainless steel	8*
213 ¹⁾	Actuating stem	1050 - 1200	Stainless steel 1.4028 (13% Cr) ASTM A276 Gr. 420	6k
213 ¹⁾	Actuating stem	1050 - 1200	Stainless steel (17% Cr)	6e
213 ¹⁾	Actuating stem	1050 - 1200	Monel® stainless steel	8*
310.1 ¹⁾	Plain bearing	1050 - 1200	Steel with reinforced PTFE coating	
310.2 ¹⁾	Plain bearing	1050 - 1200	Steel with reinforced PTFE coating	
310.3 ¹⁾	Plain bearing	1050 - 1200	Steel with reinforced PTFE coating	
412.1	O-ring	1050 - 1200	Nitrile	
412.2 ¹⁾²⁾³⁾	O-ring	1050 - 1200	Nitrile	
412.3 ¹⁾²⁾³⁾	O-ring	1050 - 1200	Nitrile	
413 ³⁾	Liner	1050 - 1200	EPDM suitable for drinking water	XC
413 ³⁾	Liner	1050 - 1200	High-grade nitrile	K
486 ¹⁾	Ball	1050 - 1200	Steel	
540 ¹⁾²⁾³⁾	Bush	1050 - 1200	Acetal	
550 ²⁾	Valve disc	1050 - 1200	Nodular cast iron EN-GJS-400-15 (JS1030) ASTM A536 Gr. 60-40-18	3g
550 ²⁾	Valve disc	1050 - 1200	Nodular cast iron EN-GJS-400-15 (JS1030) ASTM A536 Gr. 60-40-18, hard rubber coated	3p
550 ²⁾	Valve disc	1050 - 1200	Nodular cast iron EN-GJS-400-15 (JS1030) ASTM A536 Gr. 60-48-18, Halar-coated	3a
550 ²⁾	Valve disc	1050-1200	Nodular cast iron EN-GJS-400-15 (JS1030) ASTM A536 Gr. 60-48-18, RILSAN-coated	3r
550 ²⁾	Valve disc	1050 - 1200	Stainless steel 1.4408 / ASTM A351 Gr. CF8M	6
550 ²⁾	Valve disc	1050 - 1200	Cast steel	1
550 ²⁾	Valve disc	1050 - 1200	Aluminium bronze CC333G / ASTM B148 Gr. C95800	2
550 ²⁾	Valve disc	1050 - 1200	Stainless steel 1.4308 / ASTM A351 Gr. CF8	6g
561	Half round head grooved pin	1050 - 1200	Stainless steel	
904 ¹⁾	Adjusting screw	1050 - 1200	Steel	
916 ¹⁾²⁾³⁾	Plug	1050 - 1200	Polyethylene	
920 ¹⁾	Nut	1050 - 1200	Steel	
932.1 ¹⁾²⁾³⁾	Circlip	1050 - 1200	Steel	
932.2 ¹⁾²⁾³⁾	Circlip	1050 - 1200	Steel	
940 ¹⁾	Key	1050 - 1200	Steel	
970	Name plate	1050 - 1200	Stainless steel	

Other materials on request

*: On request

-
- 1) Stem spare parts kit
 - 2) Valve disc spare parts kit
 - 3) Liner spare parts kit
-

List of components, series 280 / 400 / 520

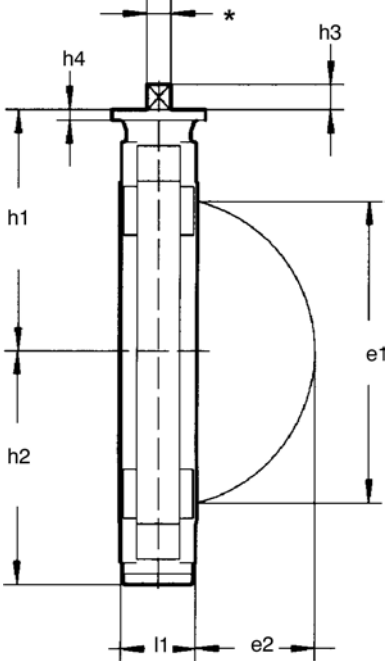
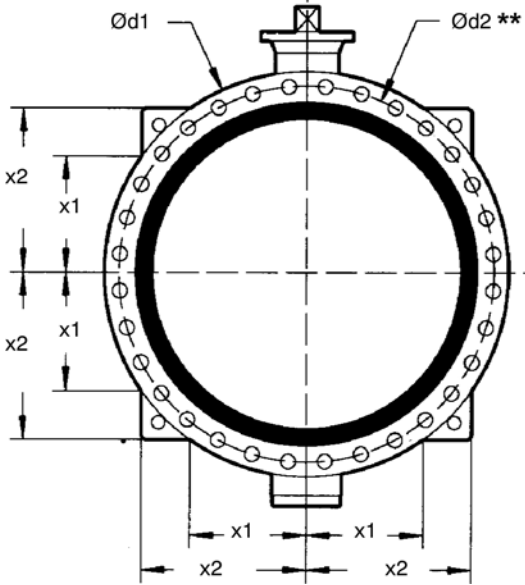
Part No.	Description	DN	Materials	KSB code
100	Body	1100 (1250) - 4000	Nodular cast iron EN-GJS-400-15 (JS1030) ASTM A536 Gr. 60-40-18	3g
100	Body	1100 (1250) - 4000	Carbon steel A216 Gr. WCC / 1.0619	1*
176	Bottom	1100 (1250) - 4000	Carbon steel	
210	Stem	1100 (1250) - 4000	Stainless steel 1.4028 (13% Cr) ASTM A276 Gr. 420	6k
210	Stem	1100 (1250) - 4000	Stainless steel (17% Cr)	6e
210	Stem	1100 (1250) - 4000	Monel® stainless steel	8*
213	Actuating stem	1100 (1250) - 4000	Stainless steel 1.4028 (13% Cr) ASTM A276 Gr. 420	6k
213	Actuating stem	1100 (1250) - 4000	Stainless steel (17% Cr)	6e
213	Actuating stem	1100 (1250) - 4000	Monel® stainless steel	8*
310.1	Plain bearing	1100 (1250) - 4000	Steel with reinforced PTFE coating	
310.2	Plain bearing	1100 (1250) - 4000	Steel with reinforced PTFE coating	
310.3	Plain bearing	1100 (1250) - 4000	Steel with reinforced PTFE coating	
310.4	Plain bearing	1100 (1250) - 4000	Steel with reinforced PTFE coating	
412.1	O-ring	1100 (1250) - 4000	Nitrile	
412.2	O-ring	1100 (1250) - 4000	Nitrile	
413	Liner	1100 (1250) - 4000	EPDM suitable for drinking water	XC
413	Liner	1100 (1250) - 4000	High-grade nitrile	K
414	Thrust plate	1100 (1250) - 4000	Steel	
550	Valve disc	1100 (1250) - 4000	Nodular cast iron EN-GJS-400-15 (JS1030) ASTM A536 Gr. 60-40-18	3g
550	Valve disc	1100 (1250) - 4000	Nodular cast iron EN-GJS-400-15 (JS1030) ASTM A536 Gr. 60-40-18, hard rubber coated	3p
550	Valve disc	1050 (1250) - 1400	Nodular cast iron EN-GJS-400-15 (JS1030) ASTM A536 Gr. 60-48-18, Halar-coated	3a
550	Valve disc	1050 (1250) - 1400	Nodular cast iron EN-GJS-400-15 (JS1030) ASTM A536 Gr. 60-48-18, RILSAN-coated	3r
550	Valve disc	1100 (1250) - 4000	Stainless steel 1.4408 / ASTM A351 Gr. CF8M	6
550	Valve disc	1100 (1250) - 4000	Cast steel	1*
550	Valve disc	1100 (1250) - 4000	Aluminium bronze CC333G / ASTM B148 Gr. C95800	2
550	Valve disc	1100 (1250) - 4000	Stainless steel 1.4308 / ASTM A351 Gr. CF8	6g
553	Thrust insert	1100 (1250) - 4000	Steel with reinforced PTFE coating	
560	Spring-type straight pin	1100 (1250) - 4000	Tempered steel	
561	Half round head grooved pin	1100 (1250) - 4000	Stainless steel	
901.1	Bolt	1100 (1250) - 4000	Steel	
901.2	Bolt	1100 (1250) - 4000	Steel	
904	Adjusting screw	1100 (1250) - 4000	Steel	
920	Nut	1100 (1250) - 4000	Galvanised steel	
940.1	Key	1100 (1250) - 4000	Steel	
940.2	Key	1100 (1250) - 4000	Steel	
970	Name plate	1100 (1250) - 4000	Stainless steel	

Other materials on request

*: On request

Dimensions

Drawings



* Ø_s
** See "Bolting" table

Dimensions – PN 6

[mm]

DN	NPS	Connections	Ød1	Face-to-face length	h1	h2	Top flange to ISO 5211		Stem end Square end		Valve disc open		x1	x2	Weight kg
				l1			No.	h4	s	h3	e1	e2			
(1250)	50	AWWA C207 Cl. B	1568	280	900	790	F30	40	90	90	1210	480	455	638	1600
1300		EN 1092 PN 6	1520	280	967	943	F30	40	90	90	1240	497	470	680	1620
	52	AWWA C207 Cl. B	1625	280	967	943	F30	40	90	90	1240	497	470	680	1650
(1350)	54	AWWA C207 Cl. B	1683	280	992	968	F30	40	90	90	1293	522	480	700	1680
1400		EN 1092 Cl. D	1630	280	*	*	F30	40	90	90	*	*	*	*	*
1500		ISO 2084 Cl. D	1730	280	*	*	F30	40	90	90	*	*	*	*	*
	60	AWWA C207 Cl. B	1854	280	*	*	F30	40	90	90	*	*	*	*	*
1600		EN 1092 PN 6	1830	280	1115	1093	F30	40	90	90	1540	644	560	790	2160
(1650)	66	AWWA C207 Cl. B	2032	280	1147	1123	F30	40	90	90	1608	677	580	835	2251
1800		EN 1092 PN 6	2045	280	1217	1193	F30	40	90	90	1748	747	620	860	2281
	72	AWWA C207 Cl. B	2197	280	1217	1193	F30	40	90	90	1748	747	650	890	2698
(1950)	78	AWWA C207 Cl. B	2362	280	1297	1273	F35	40	90	90	1911	826	720	950	2795
2000		EN 1092 PN 6	2265	280	1319	1295	F35	40	90	90	1952	847	690	940	2885
(2100)	84	AWWA C207 Cl. B	2534	280	1372	1348	F35	40	90	90	2060	900	770	1010	3064
2200		EN 1092 PN 6	2475	280	1419	1395	F35	40	90	90	2154	948	750	980	3245
(2250)	90	AWWA C207 Cl. B	2705	400	1505	1468	F40	45	110	110	2227	931	830	1020	3835
2400		EN 1092 PN 6	2685	400	1560	1523	F40	45	110	110	2338	986	830	1070	4140
	96	AWWA C207 Cl. B	2877	400	1560	1523	F40	45	110	110	2338	986	830	1090	4910
(2550)	102	AWWA C207 Cl. B	3048	400	1660	1623	F40	45	110	110	2526	1078	950	1190	5110
2600		EN 1092 PN 6	2905	400	1660	1623	F40	45	110	110	2526	1078	900	1140	4980
(2700)	108	AWWA C207 Cl. B	3220	400	1735	1698	F48	45	140	140	2641	1136	1020	1250	5710
2800		EN 1092 PN 6	3115	400	1760	1723	F48	45	140	140	2738	1184	980	1210	5826
(2850)	114	AWWA C207 Cl. B	3391	400	1810	1773	F48	45	140	140	2843	1236	1080	1310	6720
3000		EN 1092 PN 6	3315	400	1860	1823	F48	45	140	140	2945	1286	1050	1280	6670
	120	AWWA C207 Cl. B	3562	400	1865	1828	F48	45	140	140	2950	1291	1130	1370	7698

Other diameters on request

* Contact KSB.

Dimensions – PN 10

[mm]

DN	NPS	Connections	Ød1	Face-to-face length	h1	h2	Top flange to ISO 5211		Stem end Square end		Valve disc open		x1	x2	Weight
				l1			No.	h4	s	h3	e1	e2			kg
(1050)	42	AWWA C207 Cl. D	1332	216	765	674	F25	30	60	80	1006	405	383	545	850
1100		EN 1092 PN 10	1340	216	790	703	F25	30	60	80	1057	430	386	548	900
	44	AWWA C207 Cl. D	1389	216	790	703	F25	30	60	80	1057	430	403	566	960
1200		EN 1092 PN 10	1455	254	840	756	F25	30	60	80	1152	461	428	588	1090
	48	AWWA C207 Cl. D	1516	254	840	756	F25	30	60	80	1152	461	444	602	1150
(1250)	50	AWWA C207 Cl. D	1568	280	900	790	F30	40	90	90	1210	480	455	638	1600
1300		EN 1092 PN 10	1575	280	967	943	F30	40	90	90	1240	497	470	680	1620
	52	AWWA C207 Cl. D	1625	280	967	943	F30	40	90	90	1240	497	470	680	1650
(1350)	54	AWWA C207 Cl. D	1683	280	992	968	F30	40	90	90	1293	522	480	700	1680
1400		EN 1092 PN 10	1675	280	1017	993	F30	40	90	90	1343	547	480	725	1600
1500		EN 1092 PN 10	1854	280	1067	1043	F30	40	90	90	1455	600	530	765	1800
	60	AWWA C207 Cl. D	1785	280	1067	1043	F30	40	90	90	1455	600	530	765	1800
1600		AWWA C207 Cl. D	1915	280	1115	1093	F30	40	90	90	1540	644	560	790	2440
(1650)	66	EN 1092 PN 10	2032	280	1147	1123	F30	40	90	90	1608	677	580	835	2531
1800		AWWA C207 Cl. D	2115	280	1217	1193	F35	40	90	90	1748	747	620	860	2716
	72	AWWA C207 Cl. D	2197	280	1217	1193	F35	40	90	90	1748	747	650	890	2956
(1950)	78	AWWA C207 Cl. D	2362	280	1297	1273	F35	40	90	90	1911	826	720	950	3073
2000		EN 1092 PN 10	2325	400	1355	1318	F40	45	110	110	1922	780	710	940	3956
(2100)	84	AWWA C207 Cl. D	2534	400	1410	1373	F40	45	110	110	2035	836	770	1010	4831
2200		EN 1092 PN 10	2550	400	1460	1423	F40	45	110	110	2135	885	770	1020	4220
(2250)	90	AWWA C207 Cl. D	2705	400	1505	1468	F40	45	110	110	2227	931	830	1070	4447
2400		EN 1092 PN 10	2760	400	1560	1523	F40	45	110	110	2338	986	830	1090	5025
	96	AWWA C207 Cl. D	2877	400	1560	1523	F40	45	110	110	2338	986	830	1130	5320

Other diameters on request

Dimensions – PN 16

[mm]

DN	NPS	Connections	Ød1	Face-to-face length	h1	h2	Top flange to ISO 5211		Stem end Square end		Valve disc open		x1	x2	Weight
				l1			No.	h4	s	h3	e1	e2			kg
1100		EN 1092 PN 16	1355	280	867	843	F30	40	90	90	1035	396	333	590	1400
	44	AWWA C207 Cl. E	1405	280	867	843	F30	40	90	90	1035	396	333	590	1600
1200		EN 1092 PN 16	1485	280	917	893	F30	40	90	90	1137	447	450	625	1538
	48	AWWA C207 Cl. E	1511	280	917	893	F30	40	90	90	1137	447	450	625	1538
1300		EN 1092 PN 16	1585	280	967	943	F30	40	90	90	1240	497	470	680	1620
	52	AWWA C207 Cl. E	1626	280	967	943	F30	40	90	90	1240	497	470	680	1620
(1350)	54	AWWA C207 Cl. E	1683	280	992	968	F30	40	90	90	1293	522	480	700	1680
1400		EN 1092 PN 16	1685	280	1017	993	F30	40	90	90	1343	547	480	725	1744
1500		EN 1092 PN 16	1820	280	1067	1043	F30	40	90	90	1455	600	530	765	1950
	60	AWWA C207 Cl. E	1854	280	1067	1043	F30	40	90	90	1455	600	530	765	1950
1600		EN 1092 PN 16	1930	280	1115	1093	F35	40	90	90	1540	644	560	790	2658
(1650)	66	AWWA C207 Cl. E	2032	280	1147	1123	F30	40	90	90	1608	677	580	835	3048
1800		EN 1092 PN 16	2130	400	1255	1218	F35	40	90	90	1718	682	650	690	3295
	72	AWWA C207 Cl. E	2197	400	1255	1218	F35	40	90	90	1718	682	650	690	3753
(1950)	78	AWWA C207 Cl. E	2362	400	1335	1298	F40	45	110	110	1881	762	720	950	4880
2000		EN 1092 PN 16	2345	400	1355	1318	F40	45	110	110	1922	780	710	940	5304
(2100)	84	AWWA C207 Cl. E	2534	400	1410	1373	F40	45	110	110	2035	836	770	1010	4831

Other diameters on request

Dimensions – PN 20

[mm]

DN	NPS	Connections	Ød1	Face-to-face length	h1	h2	Top flange to ISO 5211		Stem end Square end		Valve disc open		x1	x2	Weight
				l1			No.	h4	s	h3	e1	e2			
1100		ISO 7005 PN 20	1405	280	867	843	F30	40	90	90	1035	396	382	590	1600
	44	ASME B16.47 Cl. 150	1405	280	867	843	F30	40	90	90	1035	396	333	590	1600
	44	AWWA C207 Cl. E		280	On request										
1200		ISO 7005 PN 20	1515	280	917	893	F30	40	90	90	1137	447	450	625	1761
	48	ASME B16.47 Cl. 150	1510	280	917	893	F30	40	90	90	1137	447	450	625	1761
	48	AWWA C207 Cl. E		280	On request										
1300		ISO 7005 PN 20	1625	280	967	943	F30	40	90	90	1240	497	470	680	1915
	52	ASME B16.47 Cl. 150	1625	280	967	943	F30	40	90	90	1240	497	470	680	1915
	52	AWWA C207 Cl. E		280	On request										
1400		ISO 7005 PN 20	1745	280	1017	993	F35	40	90	90	1343	547	480	725	2068
	56	ASME B16.47 Cl. 150	1745	280	1017	993	F35	40	90	90	1343	547	480	725	2068
1500		ISO 7005 PN 20	1855	400	1105	1068	F35	40	90	90	1407	531	520	775	3085
	60	ASME B16.47 Cl. 150	1855	400	1105	1068	F35	40	90	90	1407	531	520	775	3085
	60	AWWA C207 Cl. E		400	On request										
Other diameters on request															

DN 1600 to 2000: dimensions not defined

Dimensions – PN 25

[mm]

DN	NPS	Connections	Ød1	Face-to-face length	h1	h2	Top flange to ISO 5211		Stem end Square end		Valve disc open		x1	x2	Weight
				l1			No.	h4	s	h3	e1	e2			
1100		EN 1092 PN 25	1420	280	867	843	F30	40	90	90	1035	396	395	590	1878
1200		EN 1092 PN 25	1530	280	917	893	F30	40	90	90	1137	447	450	625	2031
1300		ISO 2084 PN 25	1645	280	967	943	F35	40	90	90	1240	497	470	680	2185
1400		EN 1092 PN 25	1755	400	1055	1018	F35	40	90	90	1303	481	485	735	2622
1500		EN 1092 PN 25	1865	400	1105	1068	F35	40	90	90	1407	531	520	775	3210
1600		EN 1092 PN 25	1975	400	1155	1118	F40	45	110	110	1512	582	565	810	3320
1800		EN 1092 PN 25	2195	400	1255	1218	F40	45	110	110	1718	682	650	890	3895
Other diameters on request															

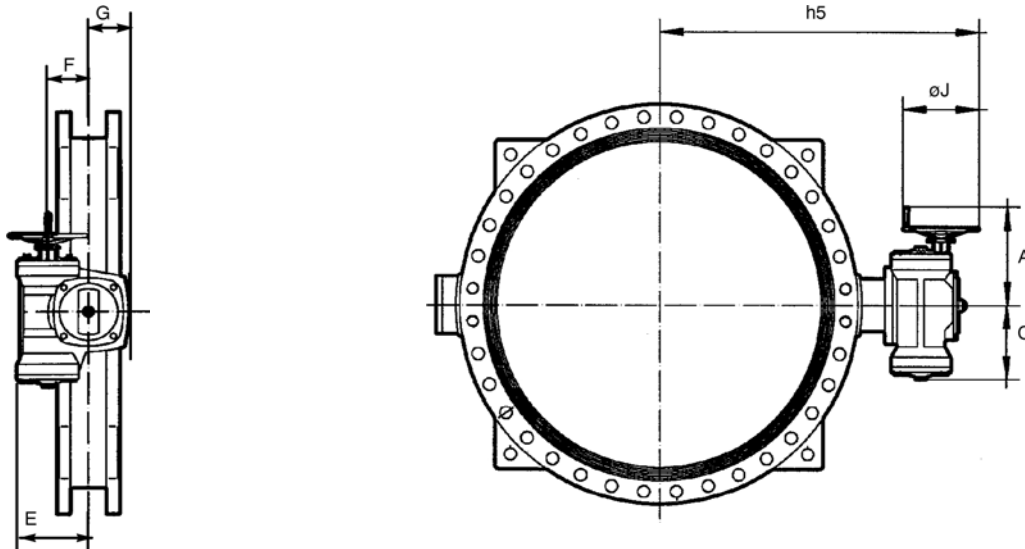
Actuator mounting

The torque for this type of large-diameter valve depends on the hydraulic characteristics of the system.

The selection of actuators given below for lubricating fluids typically applies to maximum flow velocities of 2 m/s.

Higher flow velocities and further actuator/valve combinations are possible, depending on the operating conditions and hydraulic characteristics. Request particulars.

Manual actuation: manual gearboxes



Actuators PN 6

[mm]

DN	NPS	Actuator	A	C	E	F	G	ØJ	h5	Weight [kg]
(1250)	50	MR 800	394	405	245	140	155	350	1234	110
1300	52	MR 800	394	405	245	140	155	350	1301	110
(1350)	54	MR 800	394	405	245	140	155	350	1326	110
1400	56	MR 800	394	405	245	140	155	350	1351	110
1500	60	MR 1200	661	555	318	180	180	350	1597	175
1600		MR 1200	661	555	318	180	180	350	1645	175
(1650)	66	MR 1200	661	555	318	180	180	350	1688	175
1800	72	MR 1600	447	348	318	180	180	800	1463	183
(1950)	78	GS200.3 + GZ200.3	525	370	273	200	208	630 max.	1800	170
2000		GS200.3 + GZ200.3	525	370	273	200	208	630 max.	1820	170
(2100)	84	GS200.3 + GZ200.3	525	370	273	200	208	630 max.	1872	170
2200		GS250.3 + GZ250.3	585	402	365	250	268	800 max.	1959	308
(2250)	90	GS250.3 + GZ250.3	585	402	365	250	268	800 max.	2045	308
2400	96	GS250.3 + GZ250.3	585	402	365	250	268	800 max.	2100	308
(2550)	102	GS250.3 + GZ250.3	585	402	365	250	268	800 max.	2150	308
2600		GS250.3 + GZ250.3	585	402	365	250	268	800 max.	2172	308
(2700)	108	GS250.3 + GZ250.3	585	402	365	250	268	800 max.	2272	308
2800		GS315 + GZ30.1	848	550	555	315	340	800 max.	2312	630
(2850)	114	GS315 + GZ30.1	848	550	555	315	340	800 max.	2362	630
3000		GS315 + GZ30.1	848	550	555	315	340	800 max.	2412	630
	120	GS315 + GZ30.1	848	550	555	315	340	800 max.	2417	630

Other diameters on request

* Contact KSB.

Actuators PN 10

[mm]

DN	NPS	Actuator	A	C	E	F	G	ØJ	h5	Weight [kg]
(1050)	42	MR 600	511	405	245	140	155	600	1174	105
1100	44	MR 600	511	405	245	140	155	600	1199 max.	105
1200	48	MR 800	394	405	245	140	155	350	1199 max.	110
(1250)	50	MR 800	394	405	245	140	155	800	1234	110
(1350)	54	MR 800	394	405	245	140	155	800	1326	110
1400		MR 800	394	405	245	140	155	800	1351	110
1500	60	MR 1200	661	555	318	250	168	800	1597	175
1600		MR 1600	447	348	318	180	180	350	1512	183
(1650)	66	MR 1600	447	348	318	180	180	350	1543	183
1800	72	GS200.3 + GZ200.3	525	370	273	200	208	630 max.	1717	170
(1950)	78	GS200.3 + GZ200.3	525	370	273	200	208	630 max.	1800	170
2000		GS200.3 + GZ200.3	525	370	273	200	208	630 max.	1855	170
(2100)	84	GS250.3 + GZ250.3	585	402	365	250	268	800 max.	1950	308
2200		GS250.3 + GZ250.3	585	402	365	250	268	800 max.	2000	308
(2250)	90	GS250.3 + GZ250.3	585	402	365	250	268	800 max.	2045	308
2400	96	GS315 + GZ30.1	848	550	555	315	340	630 max.	2100	630
Other diameters on request										

Actuators PN 16

[mm]

DN	NPS	Actuator	A	C	E	F	G	ØJ	h5	Weight [kg]
1100	44	MR 1200	661	555	318	250	268	800	1397	175
1200	48	MR 1200	661	555	318	250	268	800	1447	175
1300	52	MR 1600	447	348	318	180	180	350	1389	183
(1350)	54	MR 1600	447	348	318	180	180	350	1463	183
1400	56	MR 1600	447	348	318	180	180	350	1414	183
1500	60	MR 1600	447	348	318	180	180	350	1567	183
1600		MR 1600	525	370	273	200	208	630 max.	1615	170
(1650)	66	MR 1600	525	370	273	200	208	630 max.	1657	170
1800	72	GS250.3 + GZ250.3	585	402	365	250	268	800 max.	1795	308
(1950)	78	GS250.3 + GZ250.3	585	402	365	250	268	800 max.	1875	308
2000		GS250.3 + GZ250.3	585	402	365	250	268	800 max.	1895	308
(2100)	84	GS315 + GZ30.1	848	550	555	315	340	800 max.	1962	630
Other diameters on request										

Actuators PN 20

[mm]

DN	NPS	Actuator	A	C	E	F	G	ØJ	h5	Weight [kg]
1100	44	MR 1200	661	555	318	250	268	800	1397	175
1200	48	MR 1600	447	348	318	180	180	350	1314	183
1300	52	MR 1600	447	348	318	180	180	350	1314	183
1400	56	GS200.3 + GZ200.3	525	370	273	200	208	630 max.	1555	170
1500	60	GS250.3 + GZ250.3	585	402	365	250	268	800 max.	1645	308
Other diameters on request										

Actuators PN 25

[mm]

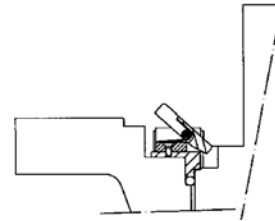
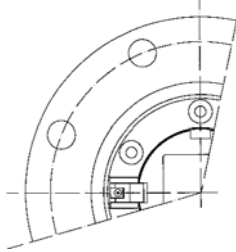
DN	NPS	Actuator	A	C	E	F	G	ØJ	h5	Weight [kg]
1100		MR 1600	447	348	318	180	180	350	1264	183
1200		MR 1600	447	348	318	180	180	350	1314	183
1300		GS200.3 + GZ200.3	525	370	273	200	208	630 max.	1443	170
1400		GS250.3 + GZ250.3	585	402	365	250	268	800 max.	1595	308
1500		GS250.3 + GZ250.3	585	402	365	250	268	800 max.	1645	308
1600		GS250.3 + GZ250.3	585	402	365	250	268	800 max.	1695	308
1800		GS315 + GZ30.1	848	550	555	315	340	800 max.	1807	630
Other diameters on request										

Variants

Variants

Valve disc locking device

In 0° or 90° position after actuator has been disengaged
Not available for DN 1050 to 1200 PN 10 (series 216 and 254)



Valve handling unsteady flow

Anti-fluttering device

On valves handling unsteady flow, an anti-fluttering device (flexible stops) located on the lower stem prevents any play between the actuator and the valve disc.

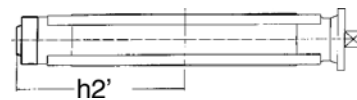
All valves equipped with an anti-fluttering device must be fitted with a valve disc locking device.

Not available for DN 1050 to 1200 PN 10 (series 216 / 254).

Valve of face-to-face length l1 280: $h2' : h2 + 72$

Valve of face-to-face length l1 400: $h2' : h2 + 65.5$

$h2$: see Dimensions table



Support feet

Note: the support feet must not be fastened to the floor.

They must remain free to move.

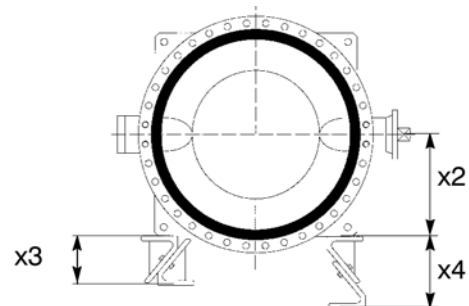
Valve of face-to-face length l1 216 and 254: $x3 = 330$

$x4 = 450$

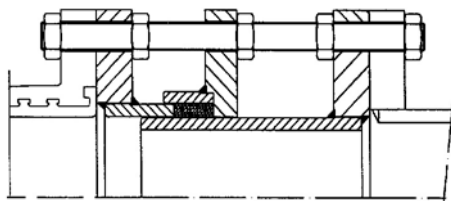
Valve of face-to-face length l1 280 and 400: $x3 = 350$

$x4 = 510$

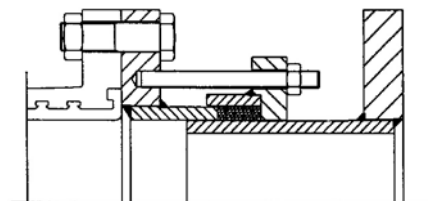
$x2$: see Dimensions table



Dismantling joint and expansion bellows

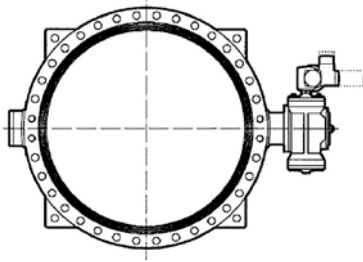


Dismantling joint

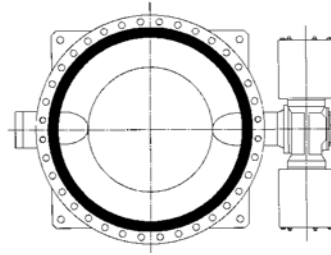


Expansion bellows

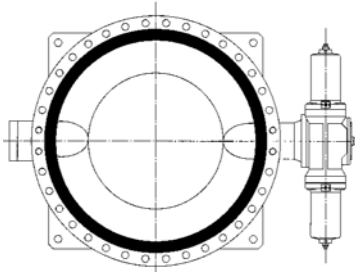
Variants – actuators



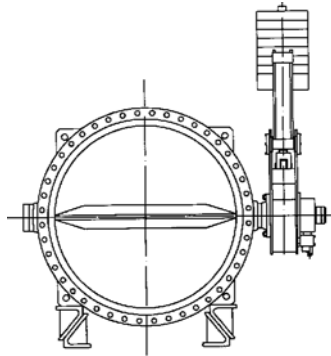
ACTELEC electric actuator



ACTAIR / DYNACTAIR pneumatic actuators



HQ hydraulic actuator



Counterweight actuator

Installation information

Connections

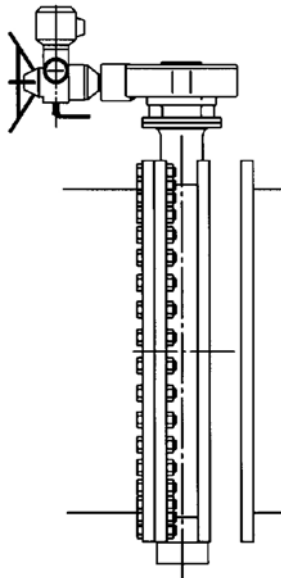
Unless indicated otherwise, the standard mating dimensions of MAMMOUTH are suitable for the permissible pressure class (PS). The flange dimensions are in accordance with the following standards:

- ISO 7005 PN 20
- EN 1092
- AWWA C207 Cl. B, D and E, edition 94
- ASME B16.47 Class 150 Series A
- ISO 2084
- Other connections on request.

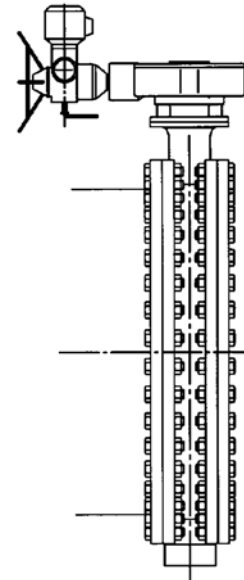
Dead-end service and downstream dismantling

Downstream dismantling

For downstream dismantling, successively loosen diagonally opposed tie rods.

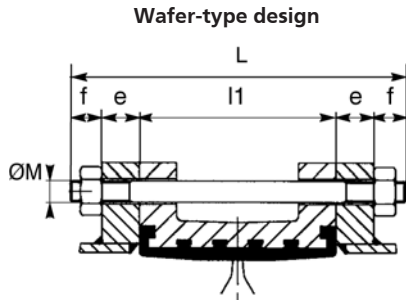


Dead-end service



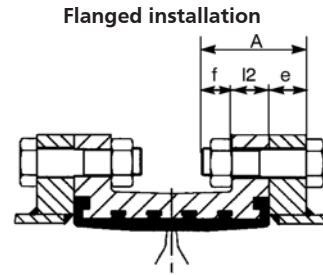
Bolting

For compliance with the Pressure Equipment Directive, the connecting elements between the valve flanges and the piping flanges must be selected in accordance with the EN 1515-4 standard ("Selection of bolting for equipment subject to the Pressure Equipment Directive 97/23/EC") and any plant regulations governing the application in question.



Length of tie rod $L = l1 + 2e + 2f$

- L: minimum length of tie rods
- l1: face-to-face length of butterfly valve
- e: flange thickness (customer-specific)
- f: thickness of nut + standardised overhang of tie rod

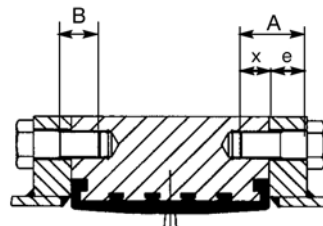


Minimum length of bolts $A = l2 + e + f$

- A: minimum length of bolts
- l2: valve flange thickness
- e: flange thickness (customer-specific)
- f: thickness of nut + standardised overhang of bolt

Bolting is not included in our standard scope of supply.

Bolts at stem passage



Bolt length at stem passage

$A = e + X$

- A: max. length of bolts
- X: max. thread engagement depth
- e: flange thickness (customer-specific)
- B: min. thread length > A-e

PN 6 bolting

[mm]

DN	NPS	Connection	Bolt Ø	Bolt hole circle	f	Wafer-type design	Flanged installation		Bolts at stem passage	
				Ø d2			Qty	Qty*	l2	Qty*
(1250)	50	AWWA C207 Cl. B	1.75"	1479,5	500	36	36	52	8	45
1300		EN 1092 PN 6	M33	1450	45	28	28	60	4	45
	52	AWWA C207 Cl. B	1.75"	1537	50	36	36	60	8	45
(1350)	54	AWWA C207 Cl. B	1.75"	1594	50	36	36	60	8	45
1400		EN 1092 PN 6	M33	1560	45	32	32	60	4	45
1500		ISO 2084 PN 6	M33	1660	45	32	32	60	4	45
	60	AWWA C207 Cl. B	1.75"	1759	50	44	44	60	8	45
1600		EN 1092 PN 6	M33	1760	40	36	36	60	4	45
(1650)	66	AWWA C207 Cl. B	1.75"	1930,4	50	44	44	65	8	45
1800		EN 1092 PN 6	M36	1970	45	40	40	60	4	50
	72	AWWA C207 Cl. B	1.75"	2095,4	50	52	52	66	8	48
(1950)	78	AWWA C207 Cl. B	2"	2260,6	55	56	56	70	8	45
2000		EN 1092 PN 6	M39	2180	45	44	44	60	4	45
(2100)	84	AWWA C207 Cl. B	2"	2425,7	55	56	56	60	8	45
2200		EN 1092 PN 6	M39	2390	45	48	48	70	4	45
(2250)	90	AWWA C207 Cl. B	2.25"	2590,8	62	60	60	70	8	65
2400		EN 1092 PN 6	M39	2600	45	48	48	70	8	65
	96	AWWA C207 Cl. B	2.25"	2755,9	62	60	60	70	8	65
(2550)	102	AWWA C207 Cl. B	2.5"	2908,3	70	64	64	70	8	60
2600		EN 1092 PN 6	M45	2810	50	52	52	70	8	55
(2700)	108	AWWA C207 Cl. B	2.5"	3067	70	64	64	70	8	55
2800		EN 1092 PN 6	M45	3020	50	56	56	70	8	55
(2850)	114	AWWA C207 Cl. B	2.75"	3219,5	75	68	68	70	8	55
3000		EN 1092 PN 6	M45	3220	50	60	60	80	8	55
	120	AWWA C207 Cl. B	2.75"	3317,9	75	68	68	80	8	55
Other diameters on request										

*: Quantity of bolts x 2

PN 10 bolting

[mm]

DN	NPS	Connection	Bolt Ø	Bolt hole circle	f	Wafer-type design	Flanged installation		Bolts at stem passage	
				Ø d2		Qty	Qty*	l2	Qty*	x
(1050)	42	AWWA C207 Cl.D	1,5"	1257	45	32	32	42	4	33
1100		EN 1092 PN 10	M33	1270	45	28	28	43	4	40
	44	AWWA C207 Cl.D	1,5"	1314	45	36	36	43	4	38
1200		EN 1092 PN 10	M36	1380	45	28	28	60	4	54
(1250)	48	AWWA C207 Cl.D	1.75"	1479,5	50	36	36	52	8	45
	50	AWWA C207 Cl.D	1,5"	1422	45	40	40	45	4	48
1300		EN 1092 PN10	M39	1490	45	28	28	60	4	45
	52	AWWA C207 Cl.D	1.75"	1537	50	36	36	60	9	45
(1350)	54	AWWA C207 Cl.D	1.75"	1593,8	50	36	36	60	8	45
1500		EN 1092 PN 10	M39	1700	50	32	32	60	4	45
	60	AWWA C207 Cl.D	1.75"	1759	50	44	44	80	8	45
1600		EN 1092 PN 10	M45	1820	50	36	36	60	4	45
(1650)	66	AWWA C207 Cl.D	1.75"	1930,4	50	44	44	65	8	45
1800		EN 1092 PN 10	M45	2020	50	40	40	66	4	50
	72	AWWA C207 Cl.D	1.75"	2095,5	50	52	52	66	8	48
(1950)	78	AWWA C207 Cl.D	2"	2260,6	55	56	56	70	8	45
2000		EN 1092 PN 10	M45	2230	50	40	40	70	8	50
(2100)	84	AWWA C207 Cl.D	2"	2425,7	55	56	56	75	8	65
2200		EN 1092 PN 10	M52	2440	60	44	44	70	8	65
(2250)	90	AWWA C207 Cl.D	2.25"	2590,8	62	60	60	80	8	65
2400		EN 1092 PN 10	M52	2650	60	48	48	70	8	65
	96	AWWA C207 Cl.D	2.25"	2755,9	62	60	60	82,5	8	65
Other diameters on request										

*: Quantity of bolts x 2

PN 16 bolting

[mm]

DN	NPS	Connection	Bolt Ø	Bolt hole circle	f	Wafer-type design	Flanged installation		Bolts at stem passage	
				Ø d2			Qty	Qty*	l2	Qty*
1100		EN 1092 PN 16	M39	1270	45	24	24	60	8	45
	44	AWWA C207 Cl. E	1.5"	1314	45	32	32	69	8	45
1200		EN 1092 PN 16	M45	1390	45	28	28	60	4	45
	48	AWWA C207 Cl. E	1.5"	1422	45	36	36	69	8	45
1300		EN 1092 PN 16	M45	1490	50	28	28	60	4	45
	52	AWWA C207 Cl. E	1.75"	1537	50	36	36	74	8	45
(1350)	54	AWWA C207 Cl. E	1.75"	1593,8	50	36	36	74	8	45
1400		EN 1092 PN 16	M45	1590	50	32	32	60	4	45
1500		EN 1092 PN 16	M52	1710	65	32	32	63	4	45
	60	AWWA C207 Cl. E	1.75"	1759	50	44	44	80	8	45
1600		EN 1092 PN 16	M52	1820	65	36	36	65	4	45
(1650)	66	AWWA C207 Cl. E	1.75"	1930,4	50	44	44	85	8	45
1800		EN 1092 PN 16	M52	2020	60	36	36	70	8	65
	72	AWWA C207 Cl. E	1.75"	2095,5	50	52	52	89	8	65
(1950)	78	AWWA C207 Cl. E	2"	2260,6	55	56	56	98	8	65
2000		EN 1092 PN 16	M56	2230	60	40	40	75	8	65
(2100)	84	AWWA C207 Cl. E	2"	2425,7	55	56	56	98	8	65

Other diameters on request

PN 20 bolting

[mm]

DN	NPS	Connection	Bolt Ø	Bolt hole circle	f	Wafer-type design	Flanged installation		Bolts at stem passage	
				Ø d2			Qty	Qty*	l2	Qty*
1100		ISO 7005 PN 20	M39	1314	45	32	32	69	8	45
	44	ASME B16.47 Cl. 150	1.5"	1314	45	32	32	69	8	45
	44	AWWA C207 Cl. E	1.5"	1314	45	32	32	69	8	45
1200		ISO 7005 PN 20	M39	1422	45	36	36	69	8	45
	48	ASME B16.47 Cl. 150	1.5"	1422	45	36	36	69	8	45
	48	AWWA C2307 Cl. E	1.5"	1422	45	36	36	69	8	45
1300		ISO 7005 PN 20	M45	1537	50	36	36	74	8	45
	52	ASME B16.47 Cl. 150	1.75"	1537	50	36	36	74	8	45
	52	AWWA C207 Cl. E	1.75"	1537	50	36	36	74	8	45
1400		ISO 7005 PN 20	M45	1651	50	40	40	78	8	45
	56	ASME B16.47 Cl. 150	1.75"	1651	50	40	40	78	8	45
1500		ISO 7005 PN 20	M45	1759	50	44	44	80	8	55
	60	ASME B16.47 Cl. 150	1.75"	1759	50	44	44	80	8	55
	60	AWWA C207 Cl. E	1.75"	1759	50	44	44	80	8	55

Other diameters on request

*: Quantity of bolts x 2

PN 25 bolting

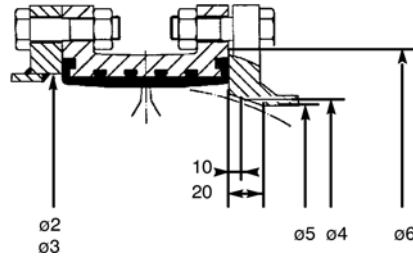
[mm]

DN	NPS	Connection	Bolt Ø	Bolt hole circle	f	Wafer-type design	Flanged installation		Bolts at stem passage	
				Ø d2			Qty	Qty*	l2	Qty*
1100		EN 1092 PN 25	M52	1310	65	24	24	69	8	45
1200		EN 1092 PN 25	M52	1420	65	28	28	69	4	45
1300		ISO 2084 PN 25	M56	1530	60	28	28	74	4	45
1400		EN 1092 PN 25	M56	1640	60	28	28	74	8	65
1500		EN 1092 PN 25	M56	1750	60	32	32	80	8	56
1600		EN 1092 PN 25	M56	1860	60	32	32	81	8	65
1800		EN 1092 PN 25	M64	2070	70	36	36	89	8	65
Other diameters on request										

*: Quantity of bolts x 2

Flange dimensions

The valves can be installed between all commercial mating flanges and line connections without requiring any flange gaskets. The elastomer liner alone provides a tight seal at the flange connections. Please verify that the connection meets the requirements given below.



Ø 2: max. permissible flange face diameter
Ø 3: min. permissible flange face diameter

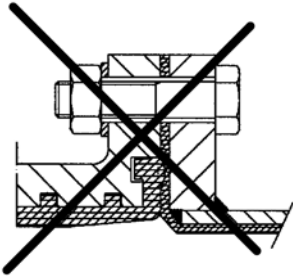
Dimensions table

[mm]

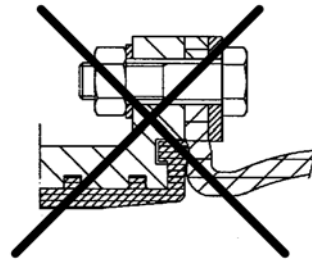
DN	NPS	Max. permissible diameter Ø2		Min. permissible diameter on flange face Ø3		Min. Ø at a distance of 10 mm from the flange face Ø4		Min. Ø at a distance of 20 mm from the flange face Ø5		Min. permissible raised face Ø of flanges with raised faces
		216	254	216	254	216	254	216	254	
Face-to-face length l1*										
(1050)	42	1067	-	1010	-	1006	-	1001	-	1135
1100	44	1117	-	1063	-	1058	-	1053	-	1187
1200	48	-	1222	-	1158	-	1152	-	1147	1307
Face-to-face length l1*										
		280	400	280	400	280	400	280	400	Ø6
1100	44	1130	-	1053	-	1045	-	1039	-	1220
1200	48	1226	-	1152	-	1148	-	1143	-	1320
(1250)	50	1300	-	1226	-	1222	-	1217	-	1370
1300	52	1330	-	1259	-	1252	-	1247	-	1420
(1350)	54	1380	-	1310	-	1303	-	1298	-	1470
1400	56	1430	1430	1361	1320	1354	1312	1349	1305	1530
1500	60	1530	1530	1463	1424	1459	1416	1454	1410	1630
1600		1625	-	1560	-	1556	-	1552	-	1730
(1650)	66	1690	-	1626	-	1623	-	1619	-	1810
1800	72	1830	1830	1768	1734	1765	1730	1761	1722	1930
(1950)	78	1990	1990	1930	1898	1926	1894	1923	1889	2090
2000		2034	2034	1974	1943	1971	1935	1968	1931	2130
(2100)	84	2140	2140	2081	2051	2078	2047	2075	2043	2240
2200		2234	2234	2176	2147	2173	2149	2171	2145	2340
(2250)	90	-	2330	-	2244	2244	2240	2221	2235	2430
2400	96	-	2440	-	2356	-	2355	-	2351	2540
(2550)	102		2640		2564		2555		2552	2740
(2700)	108		2740		2665		2658		2654	2890
2800			2840		2766		2760		2756	2940
(2850)	114		2940		2867		2860		2856	3040
3000			3040		2968		2962		2959	3140
	120		3060		2988		2972		2967	3160
Other diameters on request										

* Face-to-face length l1: See Dimensions table

Coated flange



Flange with rubber coating



Expansion bellows

N.B.: direct installation between rubber-coated flanges or with expansion bellows is not permitted. Contact KSB.



KSB S.A.S.
4, allée des Barbanniers • 92635 Gennevilliers Cedex (France)
Tél. +33 1 41 47 75 00 • Fax +33 1 41 47 75 10
www.ksb.com