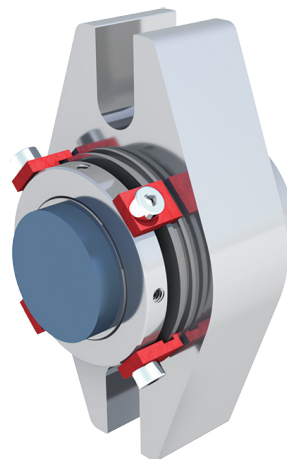


THOMSON MECHANICAL SEALS

TAC-11

Single multi spring cartridge seal with elliptical gland.


FEATURES

- Monolithic faces resistant to distortion at higher temperatures/pressures.
- Flexible, self-aligning stationary.
- Heat conduction ring.
- Light weight and economical.
- Pre-assembled cartridge design.

APPLICATIONS

- General Service
- Process Pumps
- Clean to Light Slurry
- Water/Wastewater
- Irrigation
- Food and Beverage
- Pulp and Paper

OPERATING RANGE

All operating range information is dependent on media, materials of construction, and support systems used. Please contact A.R. Thomson mechanical seal services department for more information.

Pressure, Max:	300 psig (21 bar)
Temperature:	-40°F to 400°F (-40°C to 204°C)
Speed, Max:	5000 fpm (25 m/s)

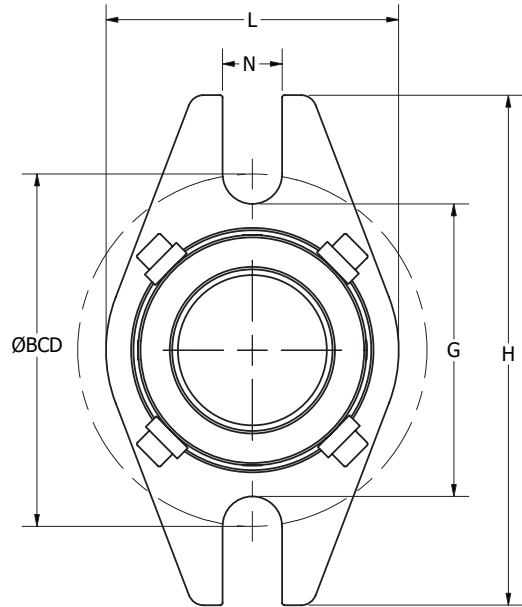
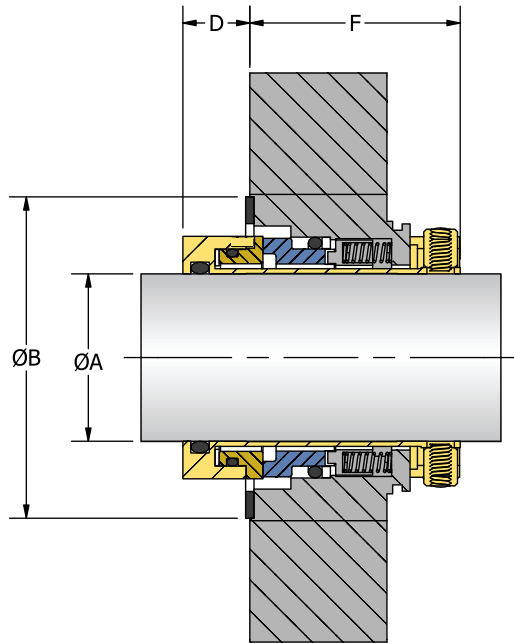
STANDARD MATERIALS

Seal Faces:	TC, Carbon, Silicon Carbide
O-Rings:	FKM, EPDM, Nitrile, Aflas, FFKM
Springs:	Hastelloy C
Metallurgy:	316SS

*Hastelloy C, Alloy 20 and Titanium available upon request.

See reverse for dimensional information.

Limitation of liability: actual performance may vary and is determined by factors unique to a given application. It is recommended that care be taken in the selection and application of materials for hazardous services and controlled testing be undertaken to determine suitability for a specific application. A.R. Thomson Group does not make or imply any warranty of suitability for a particular purpose and is not liable for any damages arising from the use of the information in this sheet. v1.1 WWW.ARTHOMSON.COM


TAC-11 STANDARD DIMENSIONS

Shaft Diameter	Box Bore BCD		G	IB	OB	OAL	Gland Diameter	H	L	BCD		Bolt Slot
	A	Min								Max	Min	
1.000	1.625	2.100	2.441	0.452	1.535	1.988	4.000	2.461	2.960	3.480	0.520	
1.125	1.752	2.195	2.441	0.492	1.579	2.070	4.125	2.461	2.960	3.605	0.520	
1.250	1.965	2.315	2.642	0.492	1.579	2.070	4.250	2.662	3.161	3.730	0.520	
1.375	2.094	2.566	2.752	0.492	1.579	2.070	4.250	2.772	3.271	3.730	0.520	
1.500	2.252	2.814	2.949	0.516	1.591	2.106	4.500	2.969	3.469	3.980	0.520	
1.625	2.375	2.917	3.031	0.516	1.591	2.106	4.750	3.051	3.630	4.151	0.599	
1.750	2.481	3.016	3.189	0.516	1.591	2.106	5.000	3.209	3.787	4.401	0.599	
1.875	2.625	3.070	3.189	0.508	1.598	2.106	5.250	3.209	3.787	4.651	0.599	
2.000	2.750	3.250	3.429	0.484	1.827	2.311	5.500	3.449	4.028	4.901	0.599	
2.125	2.874	3.461	3.819	0.484	1.827	2.311	5.750	3.839	4.528	5.151	0.599	
2.250	3.000	3.665	3.941	0.484	1.827	2.311	6.500	3.961	4.646	5.791	0.709	
2.375	3.126	3.799	3.941	0.437	2.047	2.484	6.500	3.961	4.724	5.791	0.709	
2.500	3.375	3.996	4.134	0.339	2.146	2.484	7.000	4.154	4.878	6.291	0.709	
2.625	3.625	4.193	4.291	0.417	2.083	2.500	7.000	4.311	5.000	6.291	0.709	
2.750	3.626	4.193	4.646	0.417	2.083	2.500	7.000	4.666	5.354	6.291	0.709	
2.875	3.752	4.370	4.646	0.417	2.043	2.460	7.500	4.666	5.311	6.791	0.709	
3.000	4.000	4.500	4.921	0.354	2.146	2.500	7.500	4.941	5.720	6.689	0.811	
3.125	4.126	4.925	5.039	0.417	2.146	2.563	7.500	5.059	5.846	6.689	0.811	
3.250	4.134	4.819	5.039	0.469	2.094	2.563	8.000	5.059	5.846	7.189	0.811	
3.375	4.374	5.173	5.315	0.417	2.146	2.563	8.000	5.335	6.063	7.189	0.811	
3.500	4.500	5.181	5.433	0.417	2.146	2.563	8.000	5.453	6.220	7.189	0.811	
3.750	4.724	5.512	6.102	0.417	2.146	2.563	8.500	6.122	6.772	7.815	0.685	
4.000	5.000	5.705	6.102	0.417	2.146	2.563	9.000	6.122	6.760	8.189	0.811	