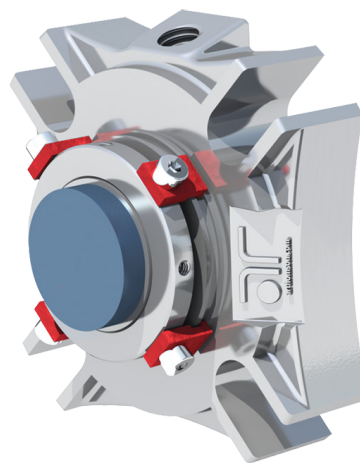


THOMSON MECHANICAL SEALS

TAC-20

Single multi spring cartridge seal with flush port.


FEATURES

- Monolithic faces resistant to distortion at higher temperatures/pressures.
- Flexible, self-aligning stationary.
- Heat conduction ring.
- Light weight and economical.
- Pre-assembled cartridge design.

APPLICATIONS

- General Service
- Process Pumps
- Clean to Light Slurry
- Water/Wastewater
- Irrigation
- Food and Beverage
- Pulp and Paper

OPERATING RANGE

All operating range information is dependent on media, materials of construction, and support systems used. Please contact A.R. Thomson mechanical seal services department for more information.

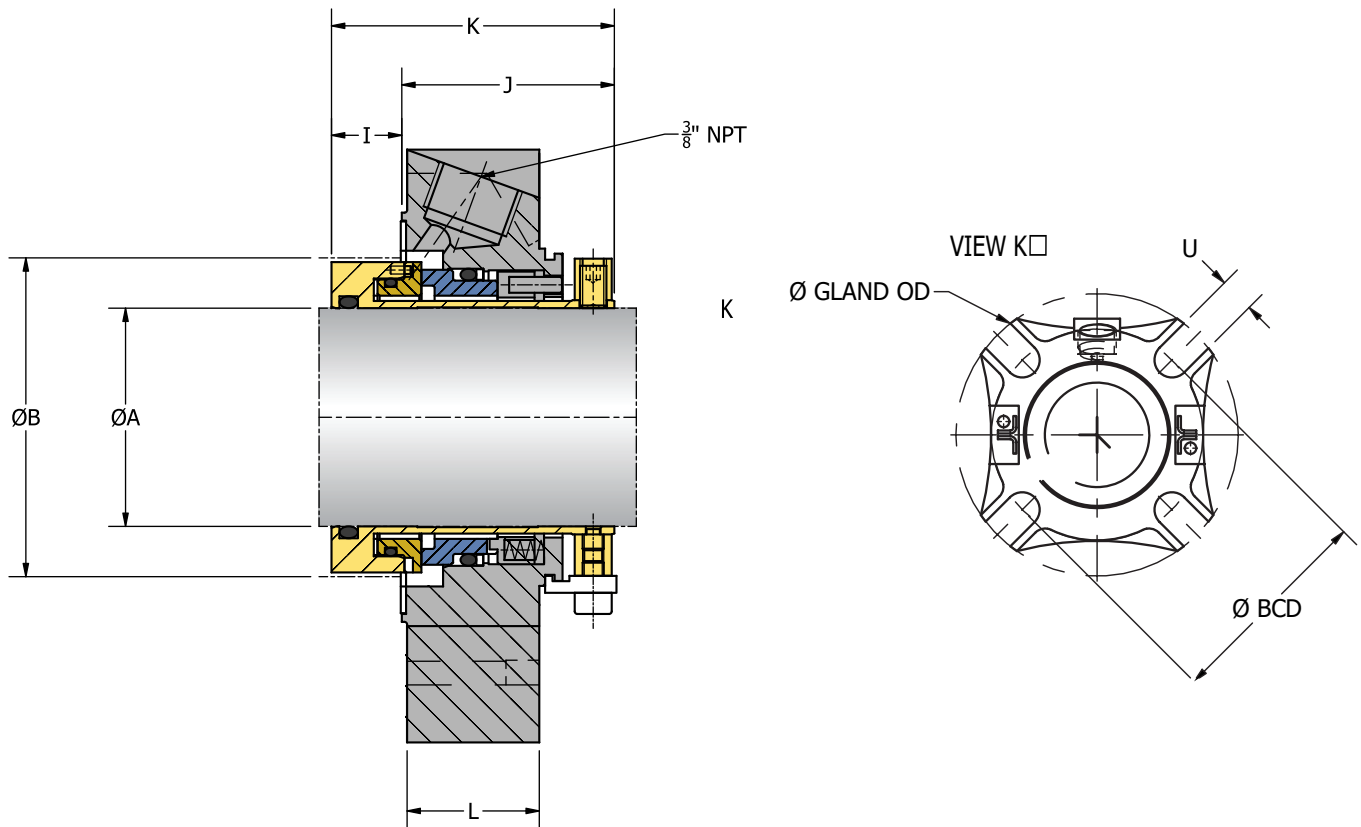
Pressure, Max:	300 psig (21 bar)
Temperature:	-40°F to 400°F (-40°C to 204°C)
Speed, Max:	5000 fpm (25 m/s)

STANDARD MATERIALS

Seal Faces:	TC, Carbon, Silicon Carbide
O-Rings:	FKM, EPDM, Nitrile, Aflas, FFKM
Springs:	Hastelloy C
Metallurgy:	316SS

*Hastelloy C, Alloy 20 and Titanium available upon request.

See reverse for dimensional information.



TAC-20 STANDARD DIMENSIONS										
Shaft Diameter	Box Bore BCD		IB	OB	OAL	L	Gland Diameter	BCD		Bolt Slot
	Min	Max						Min	Max	
1.000	1.626	1.970	0.453	1.535	1.988	0.945	4.134	2.961	3.614	0.520
1.125	1.752	2.057	0.492	1.579	2.071	1.031	4.134	2.961	3.614	0.520
1.250	1.874	2.309	0.492	1.579	2.071	1.031	4.331	3.161	3.811	0.520
1.375	2.000	2.427	0.492	1.579	2.071	1.031	4.449	3.272	3.929	0.520
1.500	2.252	2.675	0.516	1.591	2.106	1.031	4.843	3.469	4.323	0.520
1.625	2.374	2.789	0.516	1.591	2.106	1.031	4.843	3.630	4.244	0.598
1.750	2.480	2.876	0.516	1.591	2.106	1.031	5.433	3.787	4.835	0.598
1.875	2.626	2.931	0.508	1.598	2.106	1.031	5.433	3.787	4.835	0.598
2.000	2.756	3.108	0.484	1.827	2.311	1.169	5.827	4.028	5.228	0.598
2.125	2.874	3.321	0.484	1.827	2.311	1.169	5.827	4.528	5.118	0.709
2.250	3.000	3.525	0.484	1.827	2.311	1.169	6.181	4.650	5.472	0.709
2.375	3.126	3.659	0.437	2.047	2.484	1.283	6.181	4.728	5.472	0.709
2.500	3.374	3.856	0.339	2.146	2.484	1.283	6.417	4.878	5.709	0.709
2.625	3.626	4.053	0.417	2.083	2.500	0.685	6.417	5.000	5.709	0.709
2.750	3.626	4.053	0.417	2.083	2.500	0.685	7.008	5.354	6.299	0.709
2.875	3.752	4.230	0.417	2.043	2.461	0.685	6.882	5.311	6.197	0.685
3.000	4.000	4.785	0.354	2.146	2.500	0.744	7.633	5.720	6.822	0.811
3.125	4.126	4.785	0.417	2.146	2.563	1.161	7.756	5.846	6.945	0.811
3.250	4.134	4.679	0.469	2.094	2.563	1.161	7.319	5.846	6.508	0.811
3.375	4.374	5.033	0.417	2.146	2.563	1.161	8.008	6.094	7.197	0.811
3.500	4.500	5.041	0.417	2.146	2.563	1.161	8.134	6.220	7.323	0.811
3.625	4.626	5.267	0.417	2.146	2.563	1.161	8.256	6.252	7.571	0.685
3.750	4.724	5.384	0.417	2.146	2.563	1.161	8.634	6.772	7.949	0.685
4.000	5.000	5.705	0.417	2.146	2.563	1.161	8.882	6.760	8.071	0.811